

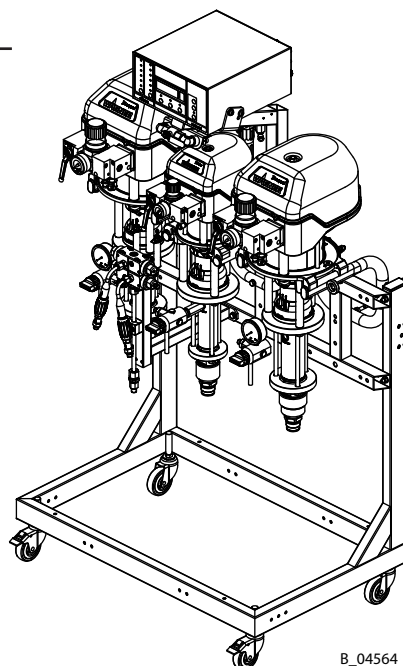


## Spare parts catalog

### TwinControl Finishing

Version 10/2016

**Electronically Controlled  
2K Systems for Lacquers**



B\_04564



## Table of Contents

<b>1</b>	<b>ABOUT THESE INSTRUCTIONS</b>	<b>6</b>
1.1	Preface	6
1.2	Warnings, Notices and Symbols in these Instructions	6
1.3	Languages	7
1.4	Compact Disk (CD) TwinControl	7
1.5	Abbreviations in the Text	7
<b>2</b>	<b>SPARE PARTS</b>	<b>8</b>
2.1	How Can Spare Parts Be Ordered?	8
2.2	Spare Parts for Pumps and Other Components	9
<b>3</b>	<b>SYSTEM OVERVIEW</b>	<b>10</b>
<b>4</b>	<b>PISTON PUMPS</b>	<b>12</b>
4.1	Complete Pumps	12
4.2	Spare Pump Parts	12
4.3	Wildcat 10-70 TC and Leopard 35-70 PE/TTC 1.4404	13
4.4	Stroke Measuring 1	14
4.5	Stroke Measuring 2	14
4.6	Small Air Connection (1/4")	15
4.7	Medium air connection (1/2")	15
<b>5</b>	<b>SUSPENSION</b>	<b>16</b>
5.1	Wall mount 4" TC	16
5.2	Wall mount 6" TC	17
5.3	Small Wall	18
5.4	Small Frame	20
5.4.1	Small castors	22
5.4.2	Stand Set	22
5.5	Air connection	22
5.6	Air Diffuser	23
5.6.1	Air Diffuser for Wildcat, Puma, Leopard	23
5.6.2	Air Diffuser EvoMotion	24
5.7	Filter Regulator Set	25
5.8	Small Trolley	26
5.8.1	Filter Regulator Set Trolley	28
<b>6</b>	<b>CONTROL UNITS</b>	<b>30</b>
6.1	TwinControl control units 1 / 9 / 10, V4 Ex	30
6.2	Control Unit TwinControl 1 V4 Non-Ex	31
6.3	Control Unit TwinControl 2 V4 Ex	32
6.4	Control Unit TwinControl 2 V4 Non-Ex	34
6.5	TwinControl 3 / 6 / 8 V4 Ex Control Unit	36
6.6	Control Unit TwinControl 3 V4 Non-Ex	38
<b>7</b>	<b>SOFT CIRCULATION</b>	<b>40</b>
7.1	Soft Circulation Leopard	40
7.2	Circulation soft EvoMotion	42

## Table of Contents

<b>8</b>	<b>MIXER</b>	<b>44</b>
8.1	Valve Group for Internal Mixer	44
8.1.1	Standard system	44
8.1.2	System for Acid catalyst (1.4404)	46
8.2	Valve Group for Internal Low-pressure Mixer	48
8.2.1	Standard system	48
8.2.2	System for Acid catalyst (1.4404)	50
8.3	Internal Medium Mixer	52
8.4	Internal Mixer Trolley	54
8.4.1	Standard system	54
8.4.2	System for Acid catalyst (1.4404)	56
8.5	Internal Medium Mixer Trolley	58
8.6	AIS	59
8.6.1	AIS for DV100 / DV 400 Valves	59
8.6.2	AIS for Pumps 48-110 und 75-150	59
8.7	Small Valve Group for External Mixer	60
8.7.1	Straight Inline Filter (up to 27 MPa; 270 bar; 3916 psi)	61
8.8	External Mixers, Manual DN2.6 and DN4	62
8.9	External Mixer, Automatic DN2.6 and DN4	64
8.10	External Mixer, Automatic DN4 as of 48-110	66
8.10.1	Circulation to External Mixer, Automatic DN4	67
8.11	External Mixer, Manual DN8	68
8.11.1	Circulation to External Mixer, Manual DN8	70
8.12	Inline Filter (up to 53 MPa; 530 bar; 7687 psi)	71
8.13	Mixing Tube Set 6-32E TC	72
<b>9</b>	<b>PRODUCT HOSES AND FITTINGS</b>	<b>74</b>
9.1	Product Hoses Made of PA (for A Components and Flushing Agent)	74
9.2	Product Hoses Made of FEP (for B Components)	75
9.3	Fittings	76
9.4	Non-return Valves	77
9.5	Locking Parts (If No Flushing Pump Is Present)	77
9.6	Fittings for Paint Valves (with External Mixer)	77
<b>10</b>	<b>VALVES ON THE PUMP OUTPUT</b>	<b>78</b>
10.1	Paint Valve 530 bar	78
10.2	Dosing Valve 530 bar	79
10.3	HP Filter with Ball Valve TC	80
10.4	Flushing valve with Relief combination	81
10.5	TC and TC 1.4404 Relief Combination	82
10.5.1	Pressure Gauge for Relief Combination	83
<b>11</b>	<b>SPLITTER VALVE</b>	<b>84</b>
11.1	DN2.6 / DN4 Splitter valve	84
11.2	PV530 Splitter Valve	86
<b>12</b>	<b>PRODUCT PRESSURE REGULATOR</b>	<b>88</b>
12.1	Pneumatic Product Pressure Regulator Set, 8 bar	88
12.2	Product Pressure Regulator Set, 8 Bar Mechanical	90



## Table of Contents

<b>13</b>	<b>GFB CONNECTION KIT</b>	<b>91</b>
<b>14</b>	<b>AUTOMATIC ELECTROSTATIC SYSTEM SET</b>	<b>92</b>
14.1	TC VM5000 Automatic Electrostatic System Set	92
14.2	Base Plate	93
<b>15</b>	<b>HEATER</b>	<b>94</b>
15.1	Heater Set A or B TC up to 35-150	94
15.2	Heater Set A or B, TC from 48-110	95
<b>16</b>	<b>AIRCOAT REGULATOR</b>	<b>96</b>
16.1	AirCoat Regulator, Complete	96
16.2	AirCoat Pressure Regulator for EvoMotion 5-60	97
16.2.1	Pressure Regulator	97
<b>17</b>	<b>ADDITIONAL PARTS FOR SECOND PAINT</b>	<b>98</b>
17.1	2A Switchbox	98
17.2	Expansion Set 2A for Small Valves (PV/DV)	100
17.3	Expansion Set 2A for Large Valves (PV530/DV530)	102
17.4	2A Extension	104
<b>18</b>	<b>REMOTE CONTROLS</b>	<b>106</b>
18.1	Remote Control TwinControl	106
18.2	ESTA Remote Control	107
<b>19</b>	<b>ARCHIVING SOFTWARE</b>	<b>108</b>
<b>20</b>	<b>SERVICE SETS</b>	<b>108</b>

# 1 ABOUT THESE INSTRUCTIONS

## 1.1 PREFACE

This spare part catalog contains information about the structure and the assembly of the device and its accessories.

The spare parts catalog is part of the corresponding operating manual.

Always follow both documents when using the device.


This equipment can be dangerous, if it is not operated in accordance with the data in the operating manual and in the spare parts catalog.

Observance of these documents is a prerequisite for the guarantee agreements.


## 1.2 WARNINGS, NOTICES AND SYMBOLS IN THESE INSTRUCTIONS

Warning instructions in this operating manual highlight particular dangers to users and to the device and state measures for avoiding the hazard. These warning instructions fall into the following categories:


**Danger** - immediate risk of danger.  
Non-observance will result in death or serious injury.

	<b>! DANGER</b>
	<p>This notice warns you of a hazard! Possible consequences of not observing the warning instructions. The signal word indicates the hazard level.</p> <p>→ The measures for preventing the hazard and its consequences.</p>

**Warning** - possible imminent danger.  
Non-observance may result in death or serious injury.

	<b>! WARNING</b>
	<p>This notice warns you of a hazard! Possible consequences of not observing the warning instructions. The signal word indicates the hazard level.</p> <p>→ The measures for preventing the hazard and its consequences.</p>

**Caution** - a possibly hazardous situation.  
Non-observance may result in minor injury.

	<b>! CAUTION</b>
	<p>This notice warns you of a hazard! Possible consequences of not observing the warning instructions. The signal word indicates the hazard level.</p> <p>→ The measures for preventing the hazard and its consequences.</p>

**Notice** - a possibly hazardous situation.  
Non-observance may result in damage to property.

<b>NOTICE</b>
<p>This notice warns you of a hazard! Possible consequences of not observing the warning instructions. The signal word indicates the hazard level.</p> <p>→ The measures for preventing the hazard and its consequences.</p>

**Note** - provides information about particular characteristics and how to proceed.

### 1.3 LANGUAGES

This **TwinControl spare parts catalog Finishing** (for A pumps 5-60, 10-70, 28-40, 15-70, 15-150, 21-110, 8-300, 3-600, 35-70, 35-150, 48-110, 18-300, 8-600) is available in the following languages:

Language	Order No.	Language	Order No.
German	2339290	English	2339331

The **TwinControl operating manual** is available in the following languages:

Language	Order No.	Language	Order No.
German	2339287	English	2339321
French	2339322	Italian	2339323
Spanish	2339330	Japanese	2344161

Operating manuals for the individual components:

- for the Order No., see the above operating manual or
- as PDF files on the **TwinControl CD** (see Chapter 1.4).

### 1.4 COMPACT DISK (CD) TWINCONTROL

All operating documents for the TwinControl and its individual components are also available as PDF files on a compact disk (CD). The CD is included in the system's scope of delivery.

The **Order No.** is: 2339342

### 1.5 ABBREVIATIONS IN THE TEXT

<b>Stk</b>	Number of pieces
<b>Pos</b>	Position
<b>K</b>	Marking in the spare parts lists
<b>Order No.</b>	Order number
<b>DH</b>	Double stroke
<b>SSt</b>	Stainless steel
<b>FEP</b>	Fluorine elastomer
<b>PA</b>	Polyamide
<b>DN</b>	Nominal diameter
<b>GFB</b>	Gun flush box
<b>2K</b>	Two components
<b>PC</b>	Protective Coating: Heavy duty corrosion protection
<b>TC</b>	TwinControl
<b>TC 1.4404</b>	TwinControl for acidic hardeners
<b>ESTA</b>	<b>Electrostatically</b> raised device
<b>HP</b>	High-pressure 4-50 MPa; 40-500 bar; 580-7,250 psi
<b>HPP</b>	High-pressure over 50 MPa; 500 bar; 7250 psi
<b>PTFE</b>	Polytetrafluorethylene

## 2 SPARE PARTS

### 2.1 HOW CAN SPARE PARTS BE ORDERED?

Always supply the following information to ensure delivery of the right spare part:

#### Order number, designation and quantity

The quantity need not be the same as the number given in the quantity column "Stk" on the list. This number merely indicates how many of the respective parts are used in each component.

The following information is also required to ensure smooth processing of your order:

- Address for the invoice
- Address for delivery
- Name of the person to be contacted in the event of any queries
- Type of delivery (normal mail, express delivery, air freight, courier, etc.)

#### Identification in spare parts lists.

Explanation of column "K" (labeling) in the following spare parts lists:

- ◆ Wearing parts

**Note:** These parts are not covered by warranty terms.

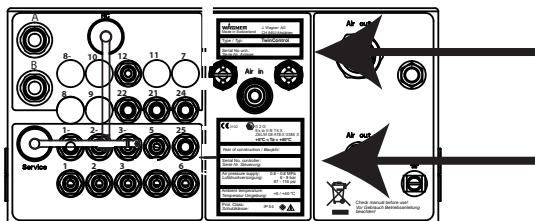
- Not part of standard equipment, available, however, as additional extra.

#### Note:

The parameters used by WAGNER and the special properties of each 2K TwinControl system are documented upon delivery and stored in the WAGNER archive.

If the customer wishes to modify the 2K TwinControl system or prior to inspections, the technical customer service team must always be provided with the serial number of the system in question.

The serial number can be found on the rear of the control unit.



B\_03752

## 2.2 SPARE PARTS FOR PUMPS AND OTHER COMPONENTS

Further spare parts for TwinControl components, which are not contained in the spare parts catalog, can be found on the compact disk (CD) in the appropriate operating manuals, in all languages available (see Chapter 1.4).





### **DANGER**

#### **Incorrect assembly/installation!**

Danger to life and equipment damage.

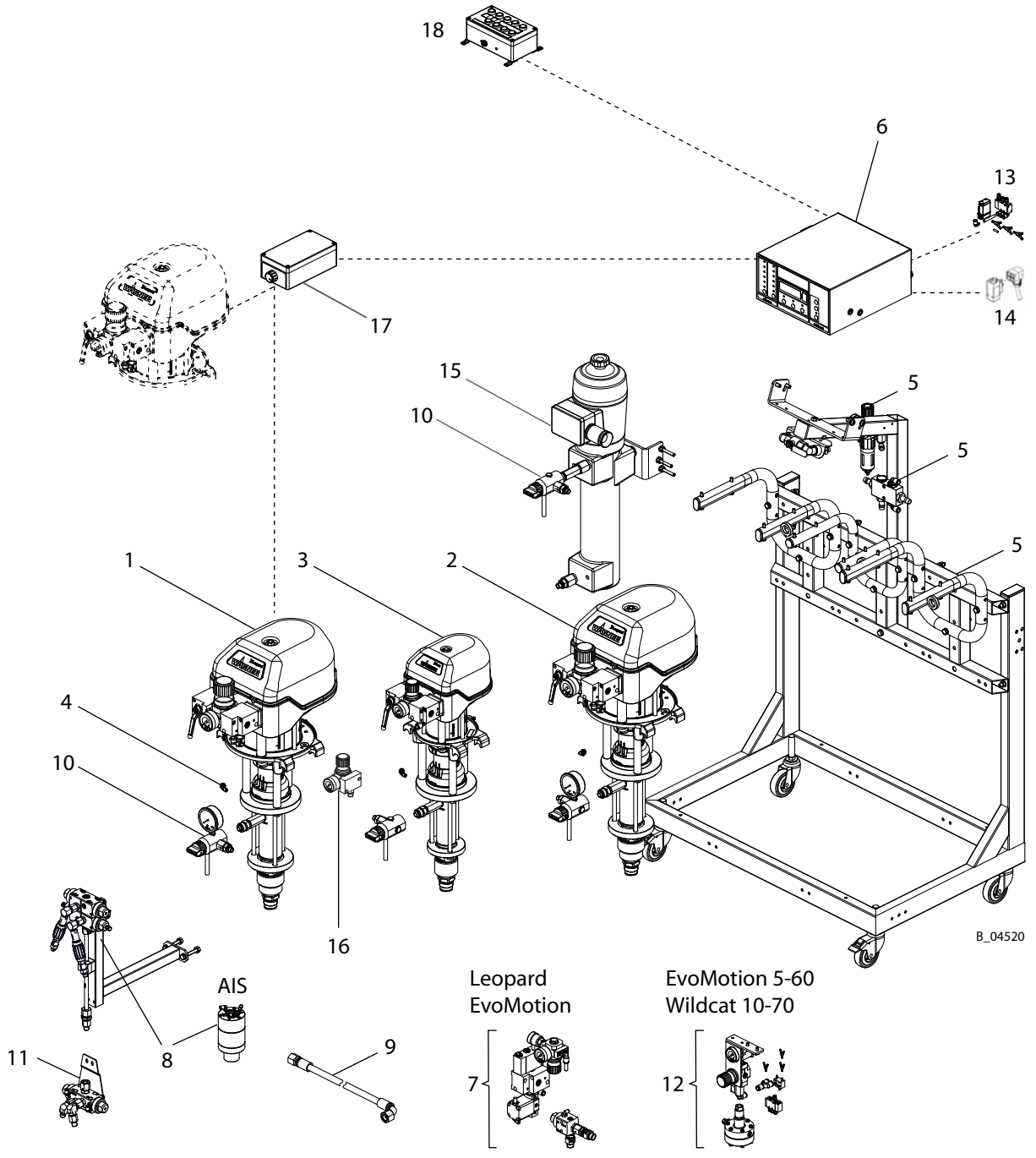
- Only a WAGNER service center or a suitably trained person may carry out assembly and installation of parts.
- Only mount and replace parts that are listed in the scope of delivery or in the "Spare Parts" chapter and that are assigned to the device.
- Before all work on the device and in the event of work interruptions:
  - Relieve pressure from spray guns and devices.
  - Secure spray guns against actuation.
  - Switch off the energy/compressed air supply.
  - Disconnect the control unit from the mains.
- Observe the operating and service manual for all work.

### 3 SYSTEM OVERVIEW

	 <b>WARNING</b>
	<p><b>Incorrect maintenance/repair!</b> Risk of injury and damage to the device.</p> <p>→ Repairs and part replacement may only be carried out by specially trained staff or a WAGNER service center.</p> <p>→ Before all work on the device and in the event of work interruptions:</p> <ul style="list-style-type: none"> <li>- Switch off the energy/compressed air supply.</li> <li>- Relieve the pressure from the spray gun and device.</li> <li>- Secure the spray gun against actuation.</li> </ul> <p>→ Observe the operating and service manual for all work.</p>

#### Components and their spare parts

Pos	Component	Order No.	Spare parts lists
1	Product pump A		Chapter 4
2	Product pump B		
3	Flushing pump		
4	Male stud elbow	9999066	
5	Suspension (wall mount / trolley / frame), Air diffuser, Filter regulator		Chapter 5
6	Control units		Chapter 6
7	Soft circulation Leopard and EvoMotion		Chapter 7
8			Chapter 8
9	Product hoses and threaded joints / non-return valves		Chapter 9
10	Valves on the pump output		Chapter 10
11	Splitter valve		Chapter 11
12	Product pressure regulators for pumps 5-60 and 10-70		Chapter 12
13	GFB connection kit		Chapter 13
14	Automatic electrostatic system set		Chapter 14
15	Heater		Chapter 15
16	AirCoat regulator		Chapter 16
17	2A switchbox and 2A extension (for second A Pump)		Chapter 17
18	Remote controls		Chapter 18



## 4 PISTON PUMPS

### 4.1 COMPLETE PUMPS

Pump A	Order No.	Pump B	Order No.	TC 1.4404
				Order No.
Wildcat 10-70 PE/TG TC	2337529	Wildcat 10-70 PE/T TC	2337530	2366704
Puma 28-40 PE/TG	2329467	Puma 28-40 PE/T	2329469	
Puma 15-70 PE/TG	2329471	Puma 15-70 PE/T	2329473	
Puma 15-150 PE/TG	2329475	Puma 15-150 PE/T	2329477	
Puma 21-110 PE/TG	2329517	Puma 21-110 PE/T	2330614	
Puma 8-300 PE/TG	2329527	Puma 8-300 PE/T	2329529	
Puma 3-600 PE/TG	2329531	Leopard 35-70 PE/T	2329481	2366702
Leopard 35-70 PE/TG	2329479	Leopard 35-150 PE/T	2329486	
Leopard 35-150 PE/TG	2329484	Leopard 48-110 PE/T	2329493	
Leopard 48-110 PE/TG	2329490	Leopard 18-300 PE/T	2329499	
Leopard 48-110 PE/L	2329495	EvoMotion 5-60 PE/T Sensor	2330596	
Leopard 18-300 PE/TG	2329497			
Leopard 8-600 PE/TG	2329533			
EvoMotion 5-60 PE/T Sensor	2330596			

Flushing pump	Order No.
Wildcat 18-40 PE/TG	2329456
Puma 28-40 PE/TG	2329467
EvoMotion 5-60 PE/T	2329535
Wildcat 10-70 PE/TG TC	2337529

TC = Special version TwinControl. Spare parts according to chapter 4.3.

TC 1.4404 = TwinControl for acidic hardeners

### 4.2 SPARE PUMP PARTS

Piston pump	Spare Parts
Wildcat 10-70 PE/TG TC Wildcat 10-70 PE/T TC Wildcat 10-70 PE/T TC 1.4404	See Chapter 4.3.*
Leopard 35-70 PE/T TC 1.4404	See Chapter 4.3.*
EvoMotion 5-60 PE/T Sensor EvoMotion 5-60 PE/T	See pump's operating manual. Fitting on the pump output: Order no. 2333265 (see Chapter 9.3)
All other pumps	See pump's operating manual. *

\* In the case that there is a **heater set**, another fitting is mounted to the pump output (see Chapter 15).



### 4.3 WILDCAT 10-70 TC AND LEOPARD 35-70 PE/T TC 1.4404

The order numbers can be found in the pump's operating manual, with the exception of the following positions.

Components			Pump A	Pump B		Pump B	
			Wildcat 10-70 PE/TG TC	TC	TC 1.4404	TC 1.4404	
Pos	K	Designation	Stk	Order No.	Order No.	Order No.	Order No.
<b>Overview of the components</b>							
1		Piston pump	1	2337529	2337530	2366704	2366702
2		Fluid section	1	(*)	(*)	2366710	2366710
3		Air motor	1	2334375			(*)
<b>Air motor</b>							
1		Air motor	1	2334375			(*)
2		Flange	1	2349900			(*)
35		Safety valve	1	2336178			(*)
48		Control housing	1	2359170			(*)
<b>Fluid section</b>							
1		Fluid section	1	(*)	(*)	2366710	
2		Pipe	1	(*)	(*)	2370141	
3		Cylinder	1	(*)	(*)	2370139	
4		Inlet housing 70	1	(*)	(*)	2370138	
5	◆	Piston	1	(*)	(*)	2370129	
6		Valve screw	1	(*)	(*)	2370137	
7	◆ ★	Ball guide, inlet	1	(*)	(*)	2338788	
16		Support ring	1	(*)	(*)	2370142	
17		Pressure ring	1	(*)	(*)	2366649	
18		Support ring	1	(*)	(*)	2370140	
19		Pressure ring	1	(*)	(*)	2366647	
40	◆ ★	Wave spring (small)	1	(*)	(*)	2366668	
41	◆ ★	Wave spring (large)	1	(*)	(*)	2366673	
42	◆ ★	Ball (large)	1	(*)	(*)	9943103	
43	◆ ★	Ball (small)	1	(*)	(*)	9943017	
57	●	Ball guide for high viscosity products	1	(*)	(*)		
70		Fitting SF-MM-G3/8-M24x1.5-PN530	1	(*)	(*)	2370580	
71		Sealing sleeve	1	(*)	(*)	2367066	
		Service-Set fluid section	1	(*)	(*)	2371972	
111	●	Valve seat set 70 stainless steel	1	(*)	(*)		

◆ = Wearing parts

Included in the service set (more parts, see pump's operating manual).

● = Special accessories

(\*) See pump's operating manual.

**All other positions and components:** see the pump's operating manual.

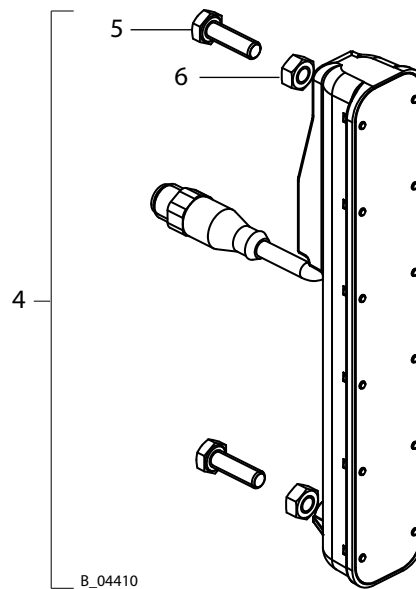
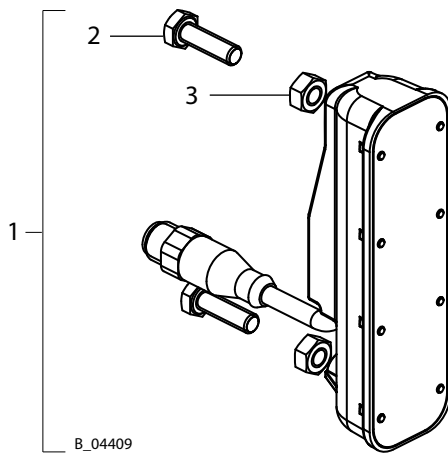
#### 4.4 STROKE MEASURING 1

For pumps 5-60, 10-70, 28-40, 15-70, 35-70.

Spare parts stroke measurement 1

Pos	K	Stk	Order No.	Designation
1	◆	1	2305981	Stroke measuring 1
2		2	9907199	Hexagon screw without shaft, not magnetic
3		2	9913052	Hexagon nut, not magnetic

◆ = Wearing parts



#### 4.5 STROKE MEASURING 2

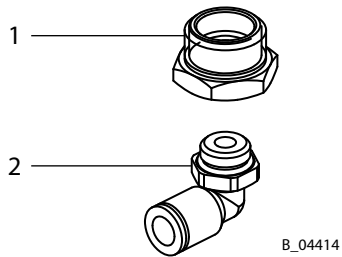
For pumps 15-150, 21-110, 8-300, 3-600, 35-150, 48-110, 18-300, 8-600.

Spare parts stroke measurement 2

Pos	K	Stk	Order No.	Designation
4	◆	1	2305982	Stroke measuring 2
5		2	9907199	Hexagon screw without shaft, not magnetic
6		2	9913052	Hexagon nut, not magnetic

◆ = Wearing parts

**4.6 SMALL AIR CONNECTION (1/4")**

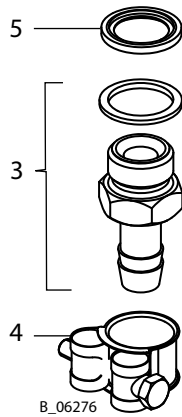


Spare parts list small air connection (1/4")

Pos	K	Stk	Order No.	Designation
1		1	9985685	Reducing fitting A-G $\frac{1}{2}$ " - I-G $\frac{1}{4}$ "
2		1	9998253	Male stud elbow, 8-1/4 Ex

◆ = Wearing parts

**4.7 MEDIUM AIR CONNECTION (1/2")**



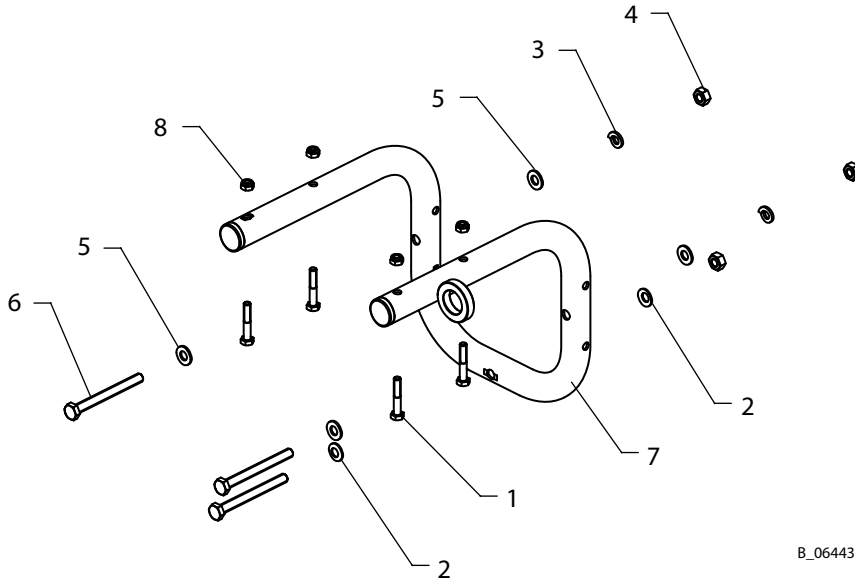
Spare parts list medium air connection (1/2")

Pos	K	Stk	Order No.	Designation
3		1	9985619	Hose connector with sealing ring
4		1	2369917	Heavy duty clamp 19-21
5	◆	1	2365694	Composite seal G1/2

◆ = Wearing parts

## 5 SUSPENSION

### 5.1 WALL MOUNT 4" TC

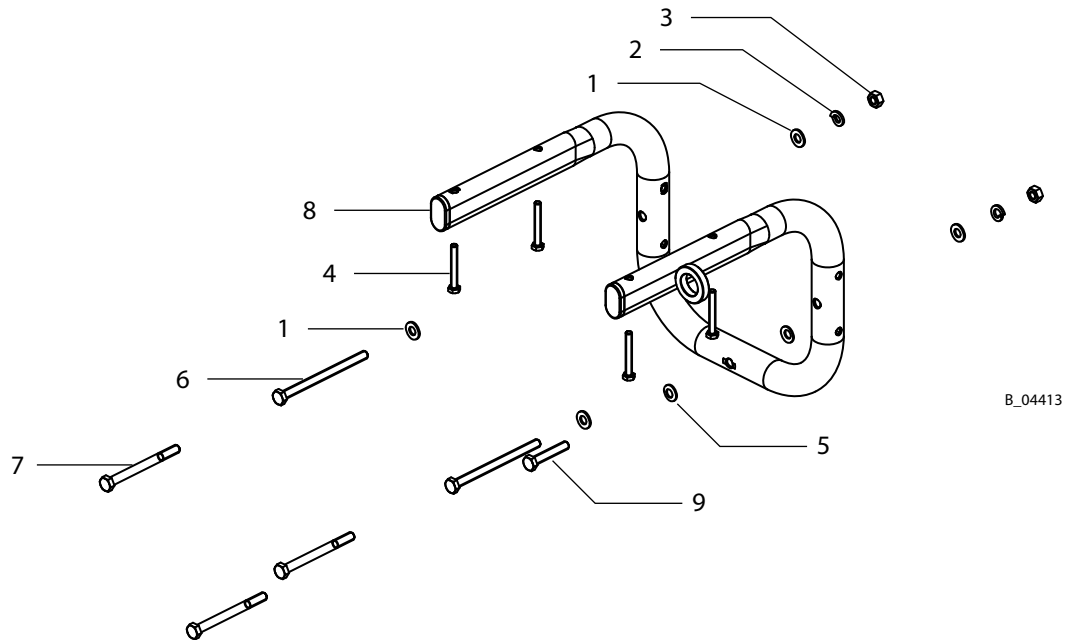


B\_06443

Spare parts list Wall mount 4"

Pos	K	Stk	Order No.	Designation
1		4	9900218	Hexagon screws
2		2	3155404	Contact washer, M08
3		2	9921501	Lock washer, A8
4		3	9910107	Hexagon nut, M8
5		4	9920102	Washer, A8.4
6		3	9900151	Hexagon screw without shaft
7		1	2332143	Wall mount 4"
8		4	9910204	Self-locking hexagon nut

**5.2 WALL MOUNT 6" TC**



B\_04413

Spare parts list Wall mount 6"

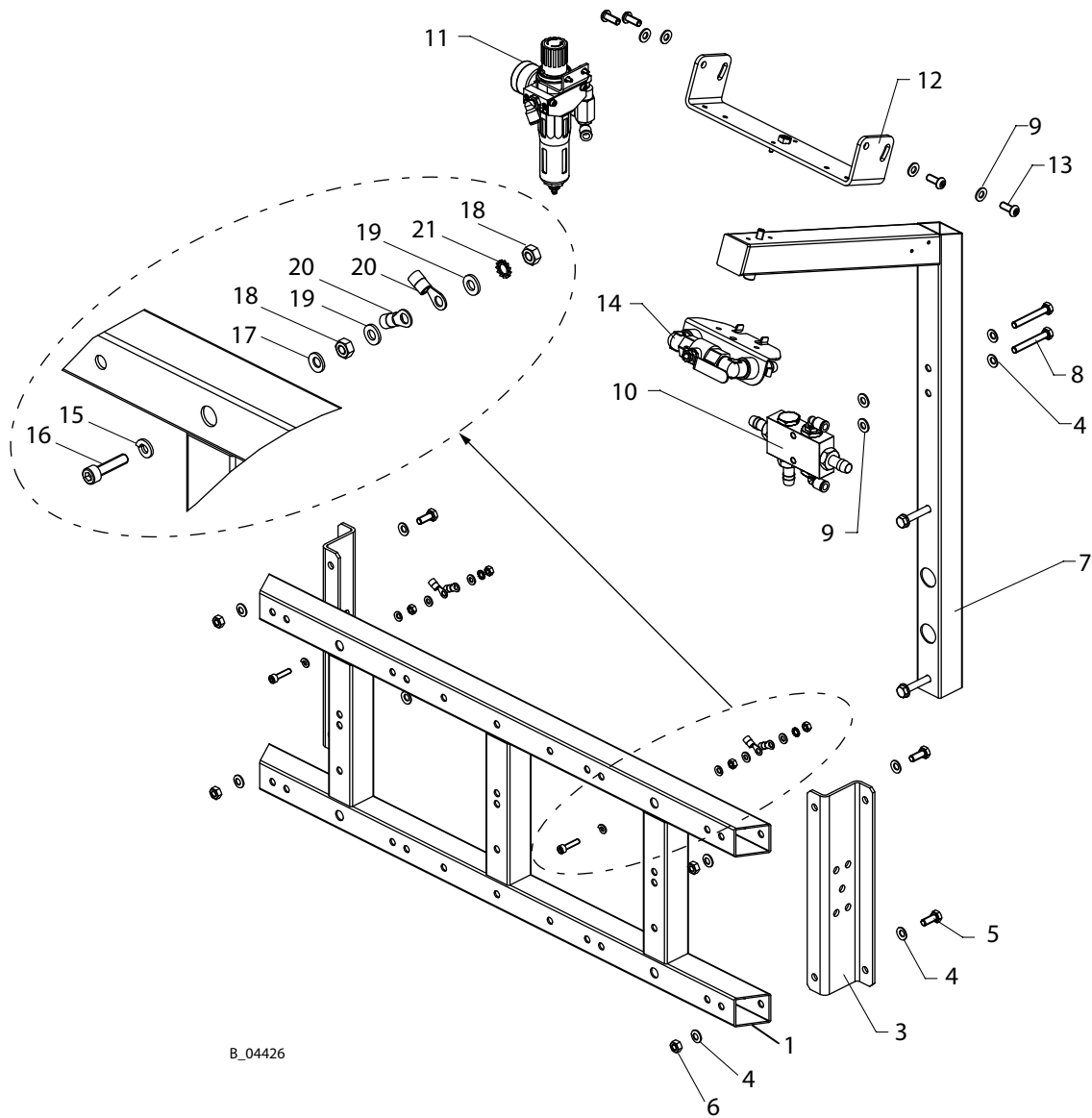
Pos	K	Stk	Order No.	Designation
1		2	3155404	Contact washer, M08
2		2	9921501	Lock washer, A8
3		3	9910107	Hexagon nut, M8
4		4	9900126	Hexagon screw without shaft
5		4	9920102	Washer, A8.4
6		2	2304692	Hexagon screw without shaft
7		3	9907211	Hexagon screws
8		1	2332145	Wall mount 6"
9		1	9900123	Hexagon screw without shaft

### 5.3 SMALL WALL

Spare parts list small wall

Pos	K	Stk	Order No.	Designation
1		1	393301	Mounting bracket
3		2	2301100	Wall angle
4		10	3155404	Contact washer, M08
5		4	9900110	Hexagon screw without shaft
6		4	9910107	Hexagon nut, M8
7		1	393005	Mounting control unit, complete
8		2	9900130	Hexagon screw without shaft
9		6	9920102	Washer, A8.4
10		1	--	Air diffuser, complete (For details see Chapter 5.6.)
11		1	2339367	Filter regulator set (For details see Chapter 5.7.)
12		1	393306	Holding bracket
13		4	9906303	Oval head screw with hexagon socket
14		1	2339350	Air connection, complete (For details see Chapter 5.5.)
15		2	9921502	Lock washer, A6.0
16		2	9900315	Hexagon socket cylinder head screw
17		2	3155401	Contact washer
18		4	9910102	Hexagon nut
19		4	9920103	Washer, A6.4, DIN 125
20		4	9950604	Cable lug
21		2	9922017	Serrated lock washer, externally toothed

◆ = Wearing parts



B\_04426

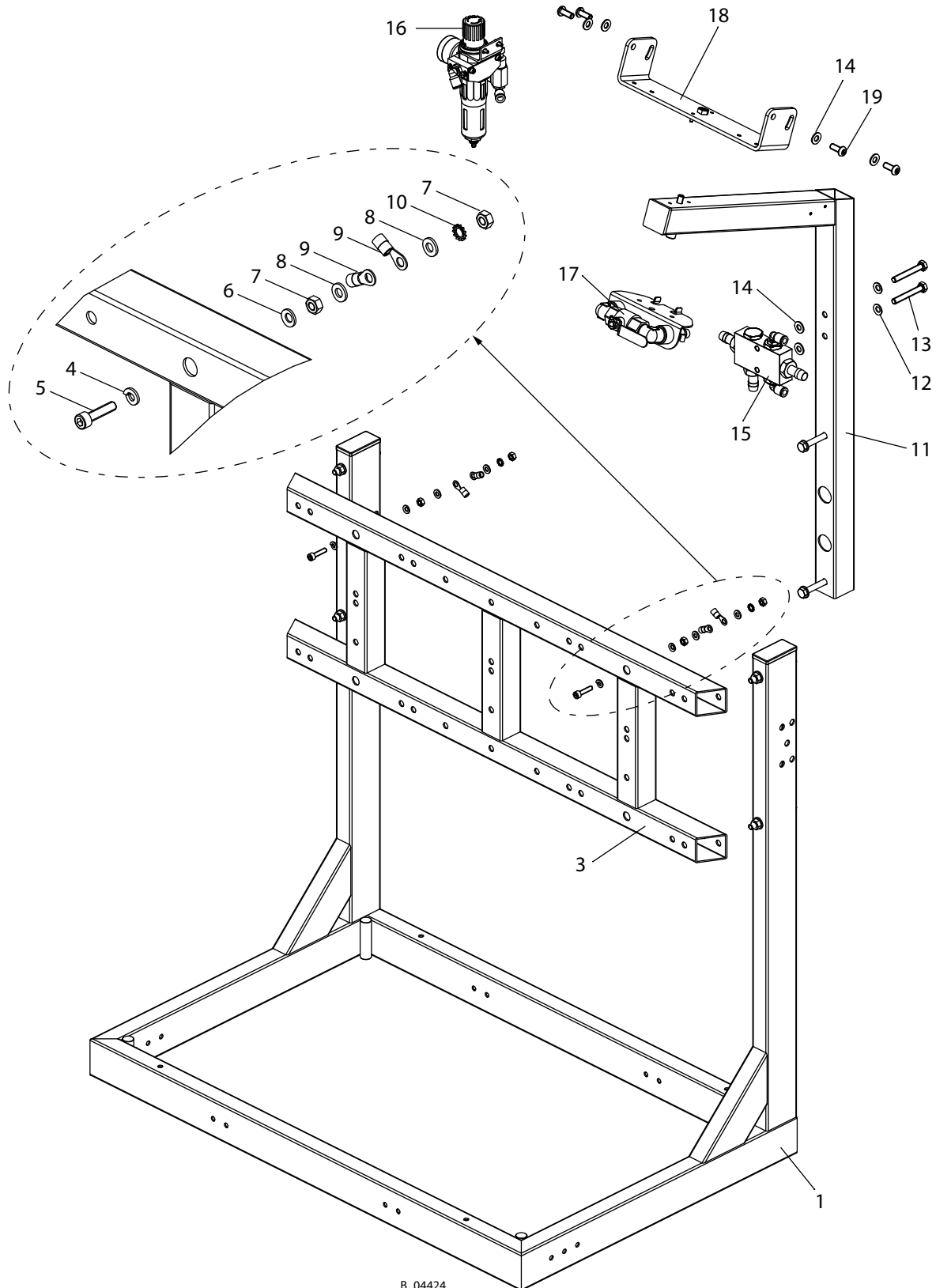
## 5.4 SMALL FRAME

Spare parts list small frame

Pos	K	Stk	Order No.	Designation
1		1	393001	Frame, complete
3		1	393301	Mounting bracket
4		2	9921502	Lock washer, A6.0
5		2	9900315	Hexagon socket cylinder head screw
6		2	3155401	Contact washer
7		4	9910102	Hexagon nut
8		4	9920103	Washer, A6.4, DIN 125
9		4	9950604	Cable lug
10		2	9922017	Serrated lock washer, externally toothed
11		1	393005	Mounting control unit, complete
12		2	3155404	Contact washer, M08
13		2	9900130	Hexagon screw without shaft
14		6	9920102	Washer, A8.4
15		1	--	Air diffuser, complete (For details see Chapter 5.6.)
16		1	2339367	Filter regulator set (For details see Chapter 5.7.)
17		1	2339350	Air connection, complete (For details see Chapter 5.5.)
18		1	393306	Holding bracket
19		4	9906303	Oval head screw with hexagon socket

◆ = Wearing parts





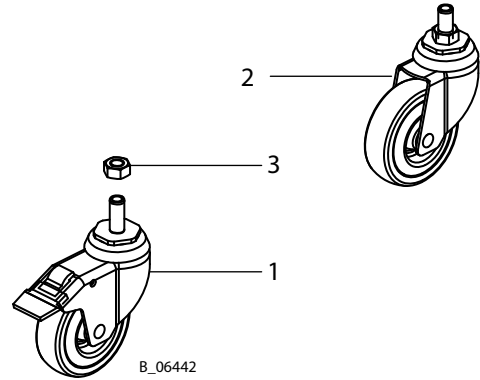
B\_04424

**5.4.1 SMALL CASTORS**

Spare parts list castors

Pos	K	Stk	Order No.	Designation
1	◆	2	9994947	Castor with double stop
2	◆	2	9994946	Castor, single
3		4	9910105	Hexagon nut

◆ = Wearing parts

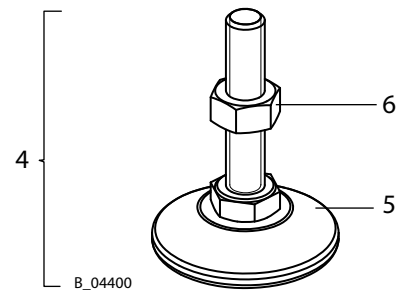


**5.4.2 STAND SET**

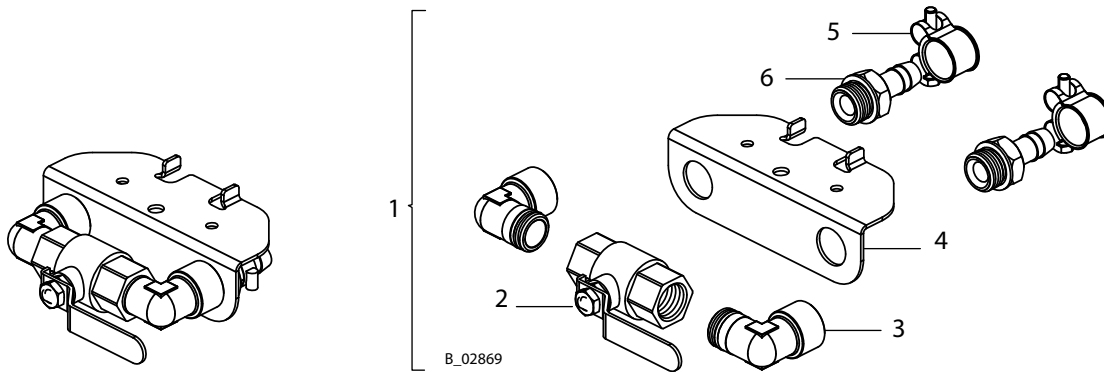
Spare parts list stand-set

Pos	K	Stk	Order No.	Designation
4		1	389095	Stand set
5		4	9998888	Stand
6		4	9910105	Hexagon nut

◆ = Wearing parts



**5.5 AIR CONNECTION**



Spare parts list for air connection

Pos	K	Stk	Order No.	Designation
1		1	2339350	Air connection, complete
2	◆	1	9999535	Ball valve IG/IG
3		2	9992238	Fitting L (G1/2)
4		1	2305084	Supporting plate
5		2	2369917	Heavy duty clamp 19-21
6		2	9985619	Hose fitting

◆ = Wearing parts

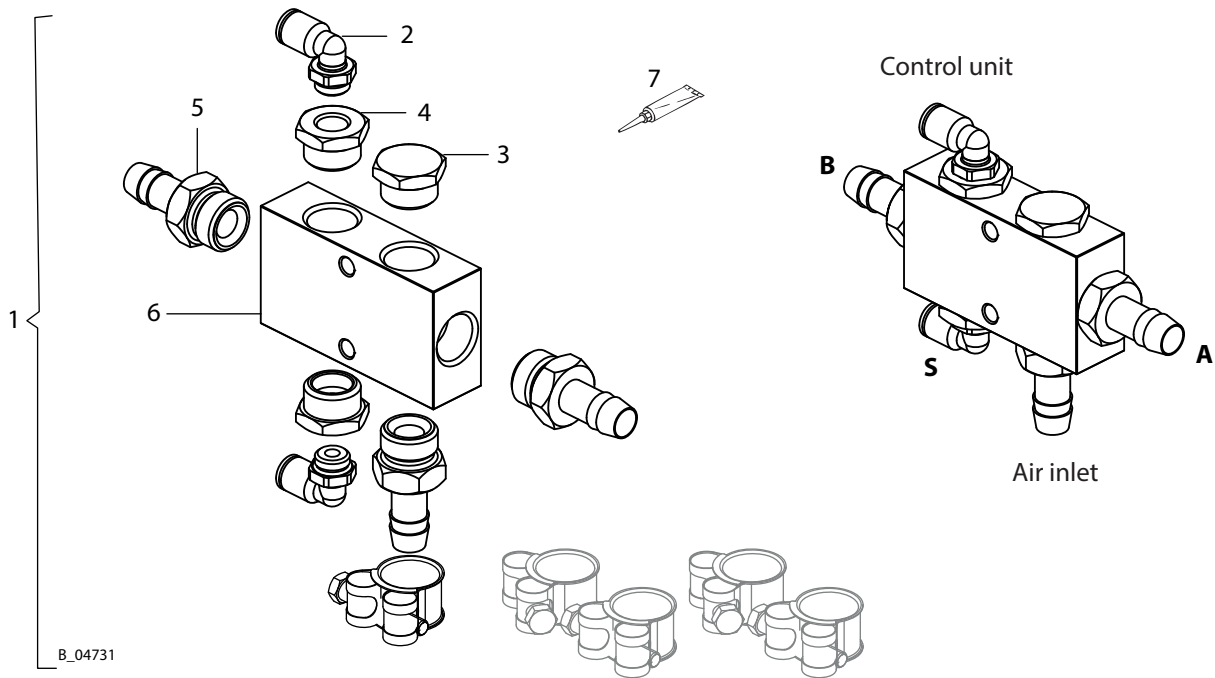
**5.6 AIR DIFFUSER**

**5.6.1 AIR DIFFUSER FOR WILDCAT, PUMA, LEOPARD**

Spare parts list air diffuser for Wildcat, Puma, Leopard

Pos	K	Stk	Order No.	Designation
1		1	--	Air diffuser
2		2	9998253	Male stud elbow, 8-1/4 Ex
3		1	3051008	G 1/2" locking screw
4		2	9985685	Reducing fitting, A-G1/2 - I-G1/4
5		3	9985619	Hose fitting
6		1	2302358	Air manifold block
7		1	9992831	Loctite® 542 *
8		5	2369917	Heavy duty clamp 19-21

\* Screw together all parts with Loctite® 542.

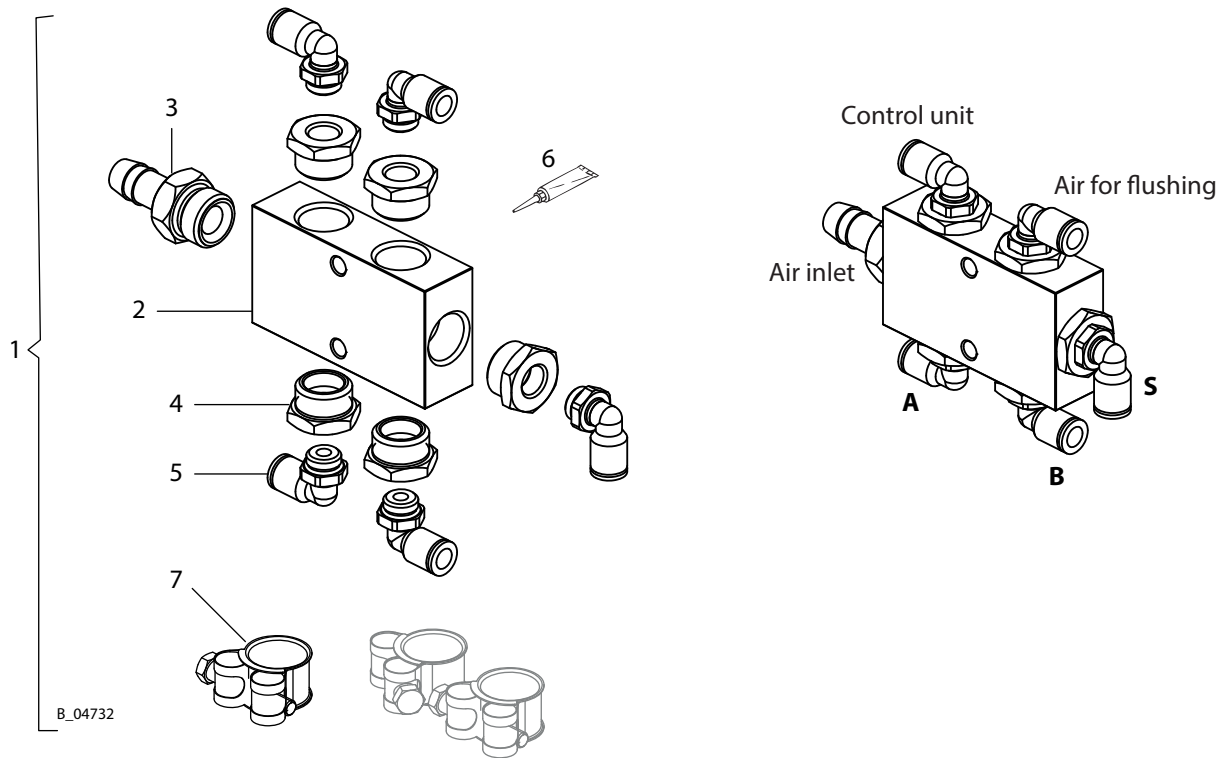


**5.6.2 AIR DIFFUSER EVOMOTION**

Spare parts list for air diffuser EvoMotion

Pos	K	Stk	Order No.	Designation
1		1	--	Air diffuser EvoMotion
2		1	2302358	Air manifold block
3		1	9985619	Hose fitting
4		5	9985685	Reducing fitting, A-G1/2 - I-G1/4
5		5	9998253	Male stud elbow, 8-1/4 Ex
6		1	9992831	Loctite® 542 *
7		3	2369917	Heavy duty clamp 19-21

\* Screw together all parts with Loctite® 542.

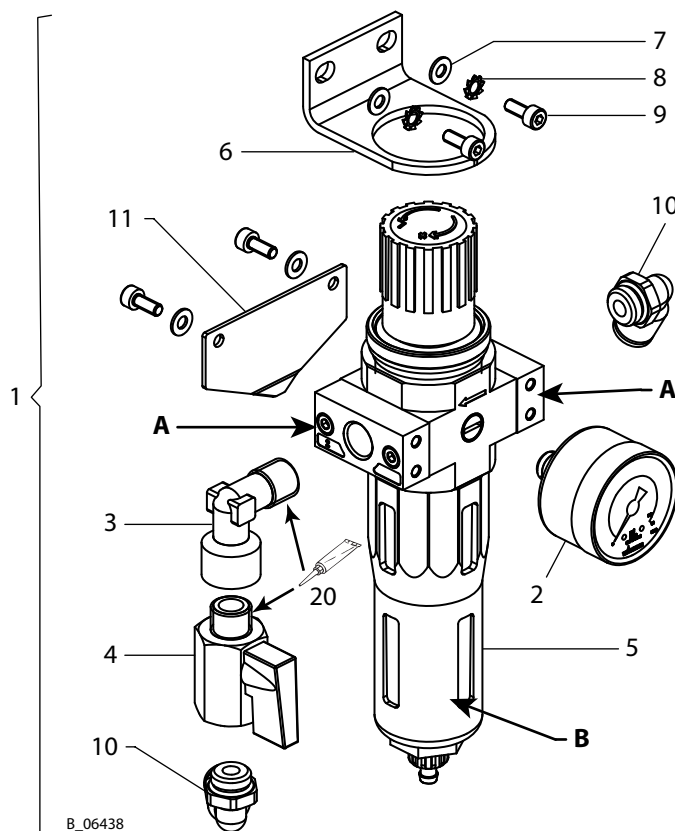


**5.7 FILTER REGULATOR SET**

Spare parts list filter regulator set

Pos	K	Stk	Order No.	Designation
1		1	2339367	Filter regulator set
2	◆	1	9998677	Pressure gauge, 0-10 bar RF40 (d40)
3		1	9992265	Male stud elbow
4	◆	1	9991112	Ball valve PN 10 bar
5	◆	1	2331950	Filter control valve (including item 90)
6		1	2331938	Mounting bracket
7		4	9920104	Washer, A4.3
8		2	9922101	Serrated washer, externally toothed
9		4	3067610	Hexagon socket cylinder head screw
10		2	9998253	Male stud elbow, 8-1/4 Ex
11		1	2366466	Contact plate
12		2 m	9982078	Air hose
20		1	9992528	Loctite® 270
90		1	2360259	Filter cup with manual drain (for item 5)

◆ = Wearing parts



- |   |  |
|---|--|
| A | Turn the both mounting plates 180°. Thread rear.   |
| B | <ol style="list-style-type: none"> <li>1. Filter control valve (25): Remove the filter cup (B)</li> <li>2. Mount contact sheet (32)</li> <li>3. Screw and unscrew 3 times the filter cup (B).<br/>→ Produces a contact point through the coating of the filter cup (B).</li> </ol> |

## 5.8 SMALL TROLLEY

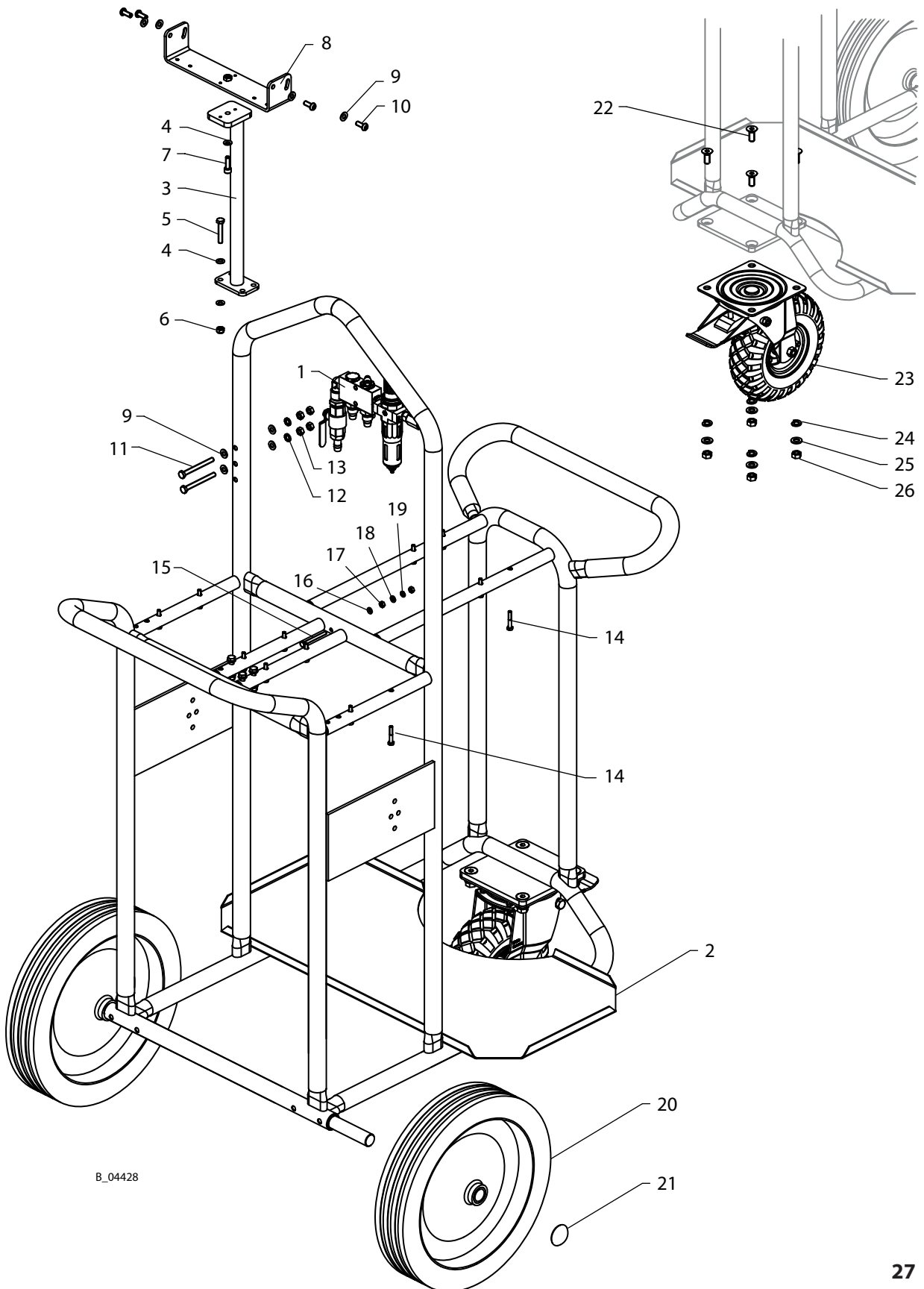
Spare parts list small trolley

Pos	K	Stk	Order No.	Designation
1		1	2339930	Filter regulator set trolley (For details see Chapter 5.8.1.)
2		1	2301072	TwinControl Leopard trolley including wheels (positions 20-26)
3		1	2301092	Holder control housing
4		9	3155404	Contact washer, M08
5		4	9900123	Hexagon screw without shaft
6		4	9910208	Self-locking hexagon nut, M8, clamp
7		1	9900313	Hexagon socket cylinder head screw
8		1	393306	Holding bracket
9		8	9920102	Washer, A8.4
10		4	9906303	Oval head screw with hexagon socket
11		2	9900151	Hexagon screw without shaft
12		2	9922016	Serrated lock washer, externally toothed
13		4	9910107	Hexagon nut, M8
14		12	9900218	Hexagon screws
15		1	9900145	Hexagon screw without shaft
16		1	3155401	Contact washer
17		2	9910102	Hexagon nut
18		1	9920103	Washer, A6.4, DIN 125
19		1	9922017	Serrated lock washer, externally toothed

Wheels

20	◆	2	9994922	Wheel, complete
21	◆	2	2303784	Retaining ring with cap
22		4	2323831	Hexagon socket countersunk head screw
23	◆	1	2301090	TwinControl swivel castor
24		4	9921514	Spring washer
25		4	9920107	Washer, A12, DIN 125-1
26		4	9910101	Hexagon nut

◆ = Wearing parts



B\_04428

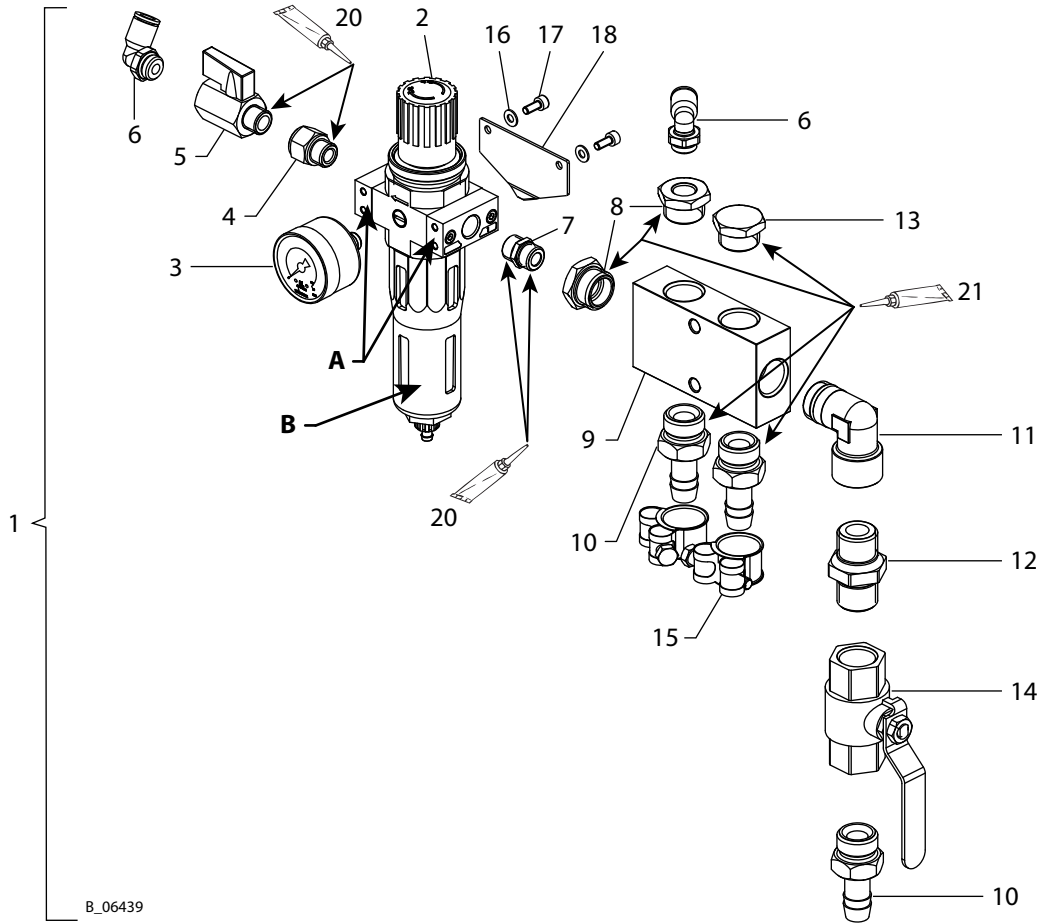
### 5.8.1 FILTER REGULATOR SET TROLLEY

Spare parts list

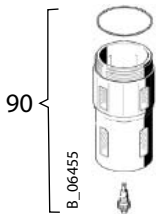
Pos	K	Stk	Order No.	Designation
1		1	2339930	Filter regulator set trolley
2	◆	1	2331950	Filter control valve
3	◆	1	9998677	Pressure gauge, 0-10 bar RF40 (d40)
4		1	9985682	Reducing fitting 1/4 outside by 1/4 inside
5	◆	1	9991112	Ball valve PN 10 bar
6		2	9998253	Male stud elbow, 8-1/4 Ex
7		1	128662	Double fitting
8		2	9985685	Reducing fitting
9		1	2302358	Air manifold block
10		3	9985619	Hose fitting
11		1	9992238	Fitting L (G1/2)
12		1	9985598	Double fitting GF-280
13		1	3051008	G 1/2" locking screw
14	◆	1	9999535	Ball valve IG/IG
15		2	2369917	Heavy duty clamp D19-D21
16		2	9920104	Washer, A4.3
17		2	3067610	Hexagon socket cylinder head screw
18		1	2366466	Contact plate
20		1	9992528	Loctite® 270
21		1	9992831	Loctite® 542
90		1	2360259	Filter cup with manual drain (for item 5)

◆ = Wearing parts



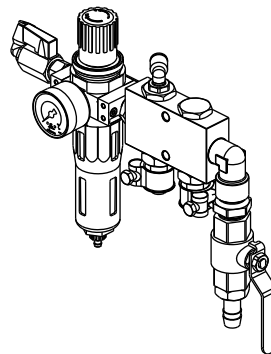


B\_06439



B\_06455

A	Turn the both mounting plates 180°. Thread rear.
B	<ol style="list-style-type: none"> <li>1. Filter control valve (25): Remove the filter cup (B)</li> <li>2. Mount contact sheet (32)</li> <li>3. Screw and unscrew 3 times the filter cup (B). → Produces a contact point through the coating of the filter cup (B).</li> </ol>

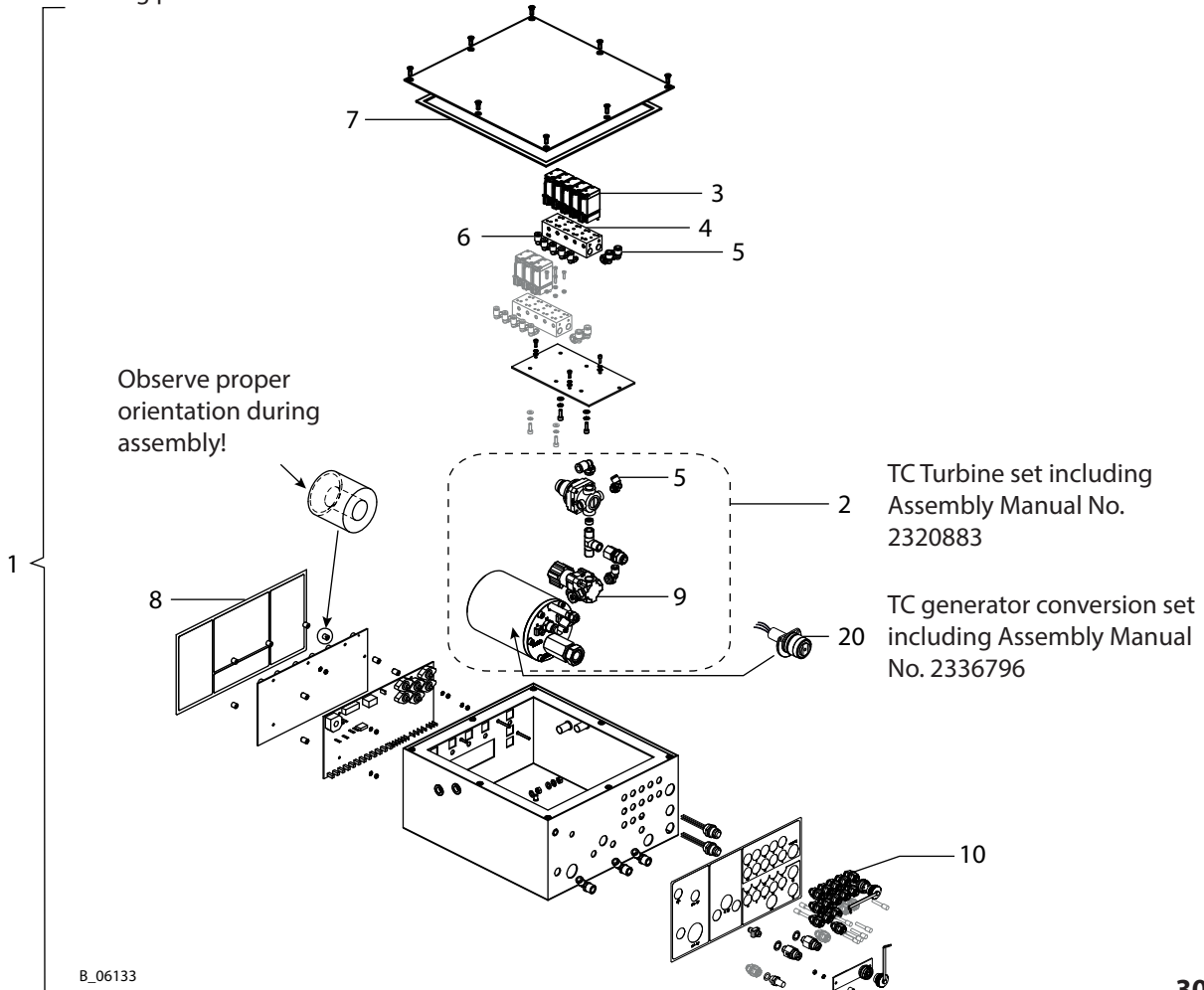


## 6 CONTROL UNITS

### 6.1 TWINCONTROL CONTROL UNITS 1 / 9 / 10, V4 EX

Components		TwinControl 1 V4 Ex		TwinControl 9 V4 Ex		TwinControl 10 V4 Ex		
Pos	K	Designation	Stk	Order No.	Stk	Order No.	Stk	Order No.
1		TwinControl, V4 Ex Control Unit	1	2327821	1	2373147	1	2373148
2		TC Turbineset	1	2320875	1	2320875	1	2320875
3	◆	Solenoid valve 3/2	5	2301068	8	2301068	8	2301068
4		Valve housing (for details see Chapter 14.2)	1	2334584	2	2334584	2	2334584
5		Male stud elbow, 6-1/8 Ex	3	9998110	5	9998110	5	9998110
6		Male stud elbow	5	9992724	10	9992724	10	9992724
7	◆	Seal	1	263327	1	263327	1	263327
8		Front plate, TwinControl	1	393500	1	393500	1	393500
9		Pressure regulator	1	9943151	1	9943151	1	9943151
10		Plug connection	14	9999064	19	9999064	19	9999064
20		TC generator conversion set	1	2332859	1	2332859	1	2332859

◆ = Wearing parts

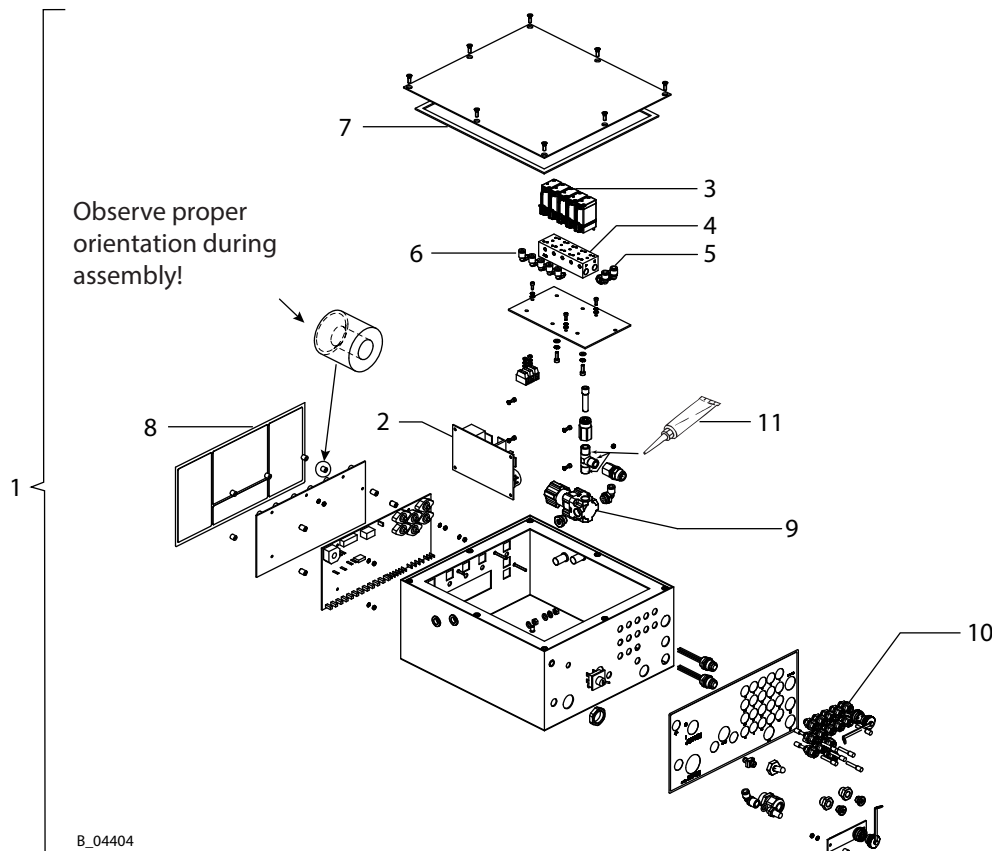


**6.2 CONTROL UNIT TWINCONTROL 1 V4 NON-EX**

Spare parts list

Pos	K	Stk	Order No.	Designation
1		1	2327823	Control unit, TwinControl 1 V4 non-Ex
2		1	2301008	Switching power supply
3	◆	5	2301068	Solenoid valve 3/2
4		1	2334584	Valve housing (Extension set TC, for details see Chapter 14.2)
5		2	9998110	Screw in angle
6		5	9992724	Male stud elbow
7	◆	1	263327	Seal
8		1	393500	Front plate, TwinControl
9		1	9943151	Pressure regulator
10		14	9999064	Plug connection
11		1	9992528	Loctite® 270

◆ = Wearing parts



### 6.3 CONTROL UNIT TWINCONTROL 2 V4 EX

Spare parts list for TwinControl 2 V4 Ex control unit

Pos	K	Stk	Order No.	Designation
1		1	2327825	Control unit TwinControl 2 V4 Ex
2		1	2320875	TC Turbine set including Assembly Manual No. 2320883
3	◆	5	2301068	Solenoid valve 3/2
4		1	2334584	Valve housing (Extension set TC, for details see Chapter 14.2)
5		6	9998110	Male stud elbow, 6-1/8 Ex
6		5	9992724	Male stud elbow
7	◆	1	263327	Seal
8		1	393500	Front plate, TwinControl
9		14	9999064	Plug connection
10		1	393712	Valve block 5/2
11		9	9998674	Threaded plug M5
12	◆	6	9974180	O-ring
13	◆	2	9943146	Pneumatic valve 5/2
14		4	2301062	Head cap screw with slit
15		6	9992723	Plug-in connection, straight
16		1	9943151	Pressure regulator
20		1	2332859	TC generator conversion set including Assembly Manual No. 2336796

◆ = Wearing parts

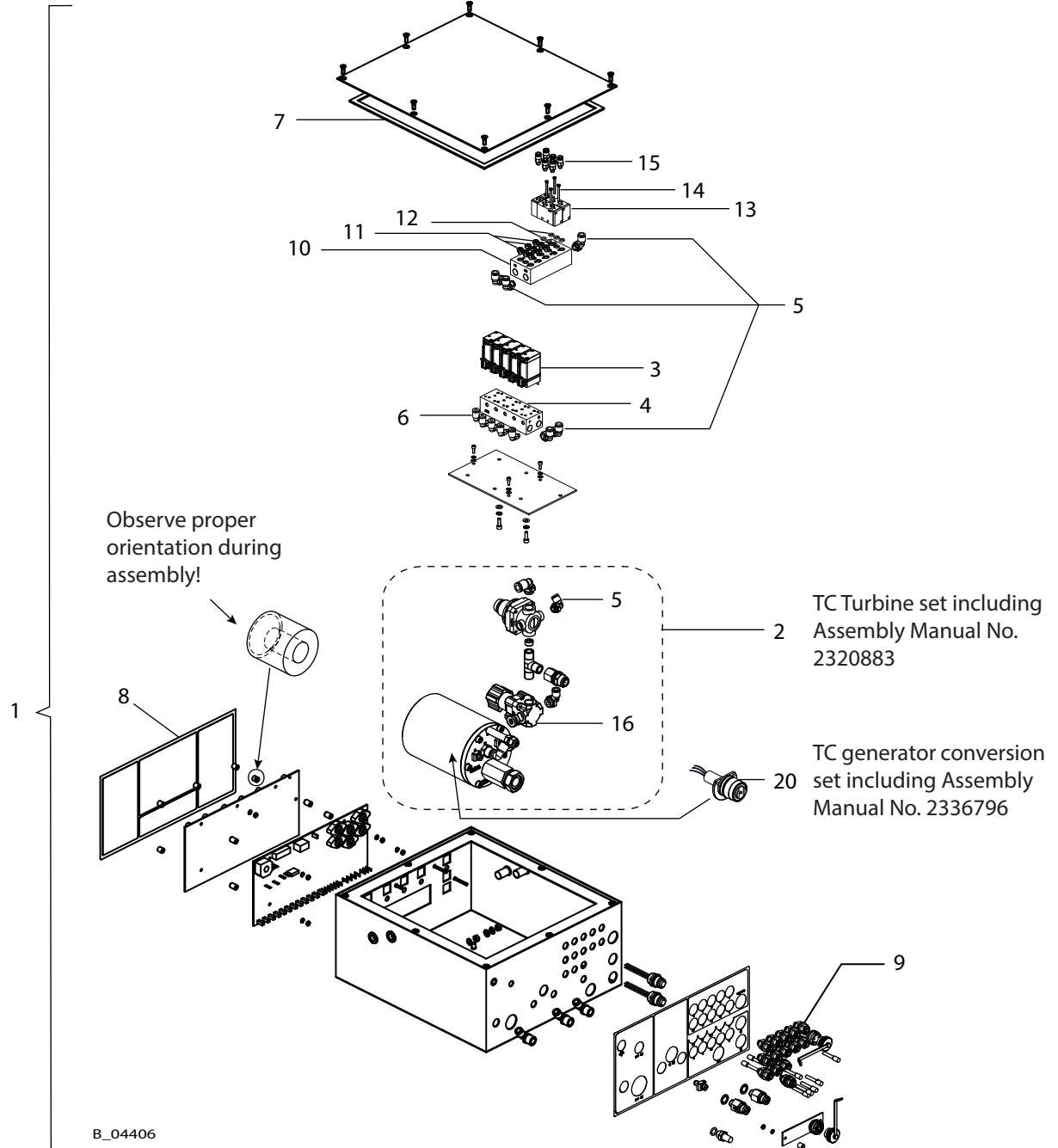


## DANGER

### **Incorrect assembly/installation!**

Danger to life and equipment damage.

- Only a WAGNER service center or a suitably trained person may carry out assembly and installation of parts.
- Only mount and replace parts that are listed in the scope of delivery or in the "Spare Parts" chapter and that are assigned to the device.
- Before all work on the device and in the event of work interruptions:
  - Relieve pressure from spray guns and devices.
  - Secure spray guns against actuation.
  - Switch off the energy/compressed air supply.
  - Disconnect the control unit from the mains.
- Observe the operating and service manual for all work.

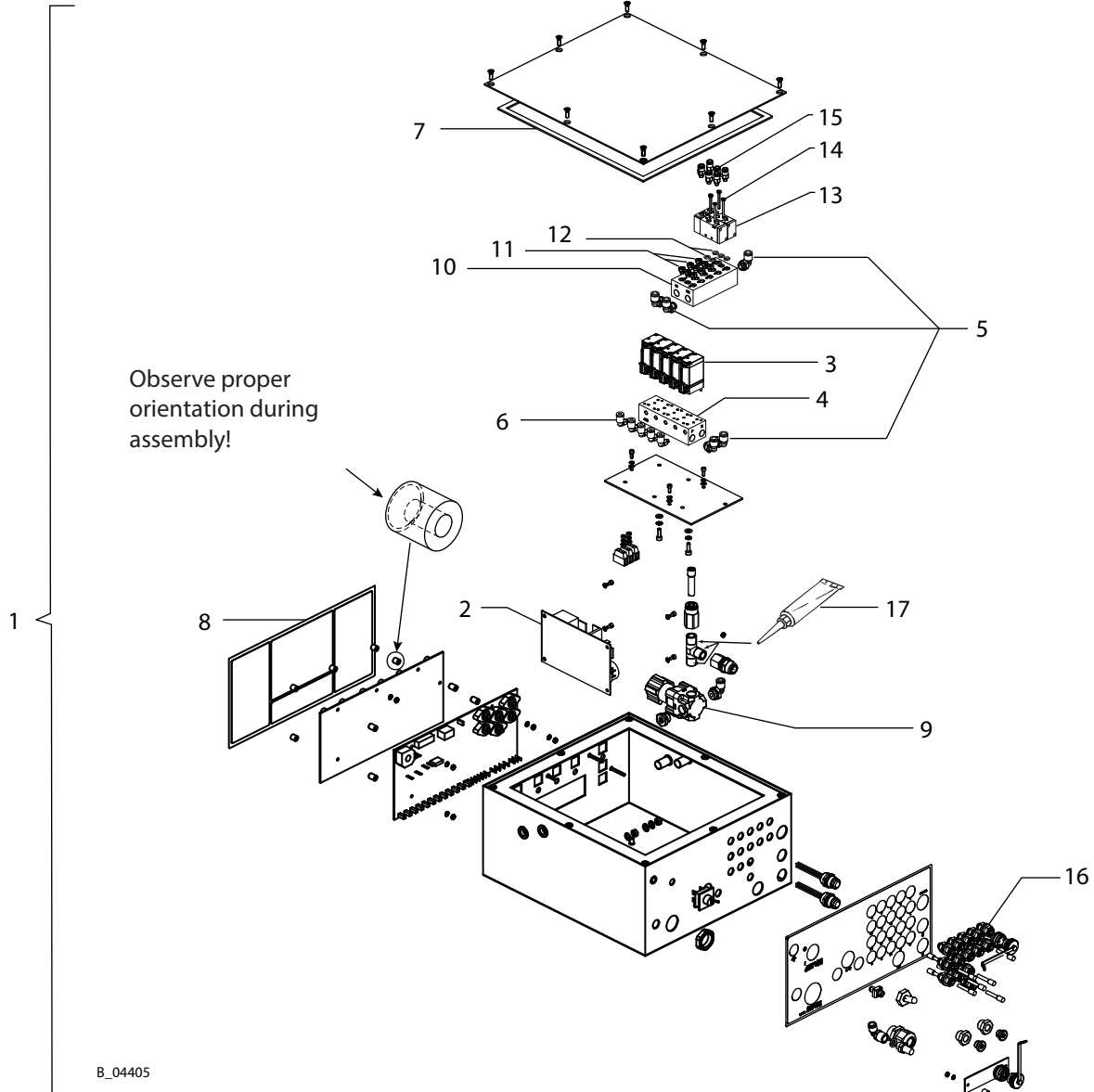


## 6.4 CONTROL UNIT TWINCONTROL 2 V4 NON-EX

Spare parts list

Pos	K	Stk	Order No.	Designation
1		1	2327827	Control unit, TwinControl 2 V4 non-Ex
2		1	2301008	Switching power supply
3	◆	5	2301068	Solenoid valve 3/2
4		1	2334584	Valve housing (Extension set TC, for details see Chapter 14.2)
5		5	9998110	Screw in angle
6		5	9992724	Male stud elbow
7	◆	1	263327	Seal
8		1	393500	Front plate, TwinControl
9		1	9943151	Pressure regulator
10		1	393712	Valve block 5/2
11		9	9998674	Threaded plug M5
12	◆	6	9974180	O-ring
13	◆	2	9943146	Pneumatic valve 5/2
14		4	2301062	Head cap screw with slit
15		6	9992723	Plug-in connection, straight
16		14	9999064	Plug connection
17		1	9992528	Loctite® 270


◆ = Wearing parts




## 6.5 TWINCONTROL 3 / 6 / 8 V4 EX CONTROL UNIT

Components		TwinControl 3 V4 Ex		TwinControl 6 V4 Ex		TwinControl 8 V4 Ex		
Pos	K	Designation	Stk	Order No.	Stk	Order No.	Stk	Order No.
1		TwinControl, V4 Ex Control Unit	1	2327829	1	2328584	1	2362550
2		TC Turbine set including Assembly Manual No. 2320883	1	2320875	1	2320875	1	2320875
3	◆	Solenoid valve 3/2	10	2301068	12	2301068	12	2301068
4		Valve housing (Extension set TC, for details see Chapter 14.2)	2	2334584	2	2334584	2	2334584
5		Male stud elbow, 6-1/8 Ex	8	9998110	8	9998110	8	9998110
6		Male stud elbow	10	9992724	12	9992724	12	9992724
7	◆	Seal	1	263327	1	263327	1	263327
8		Front plate, TwinControl	1	393500	1	393500	1	393500
9		Plug connection	20	9999064	20	9999064	20	9999064
10		Valve block 5/2	1	393712	1	393712	1	393712
11		Threaded plug M5	3	9998674	3	9998674	3	9998674
12	◆	O-ring	12	9974180	12	9974180	12	9974180
13	◆	Pneumatic valve 5/2	4	9943146	4	9943146	4	9943146
14		Head cap screw with slit	8	2301062	8	2301062	8	2301062
15		Plug-in connection, straight	12	9992723	12	9992723	12	9992723
16		Pressure regulator	1	9943151	1	9943151	1	9943151
20		TC generator conversion set including Assembly Manual No. 2336796	1	2332859	1	2332859	1	2332859

◆ = Wearing parts

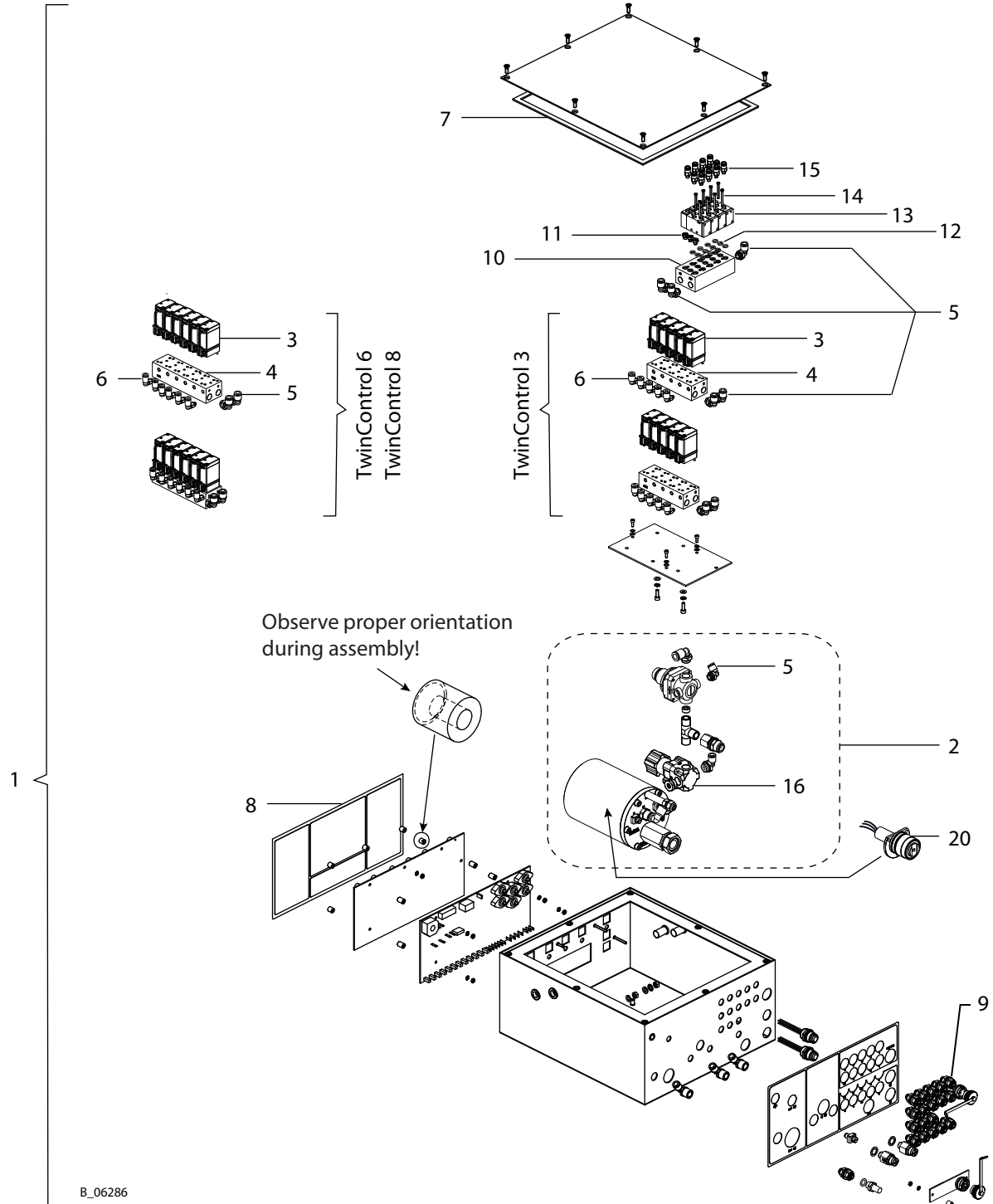



**DANGER**

**Incorrect assembly/installation!**  
Danger to life and equipment damage.

- Only a WAGNER service center or a suitably trained person may carry out assembly and installation of parts.
- Only mount and replace parts that are listed in the scope of delivery or in the "Spare Parts" chapter and that are assigned to the device.
- Before all work on the device and in the event of work interruptions:
  - Relieve pressure from spray guns and devices.
  - Secure spray guns against actuation.
  - Switch off the energy/compressed air supply.
  - Disconnect the control unit from the mains.
- Observe the operating and service manual for all work.





B\_06286

**Pos 2:** TC Turbine set including Assembly Manual No. 2320883

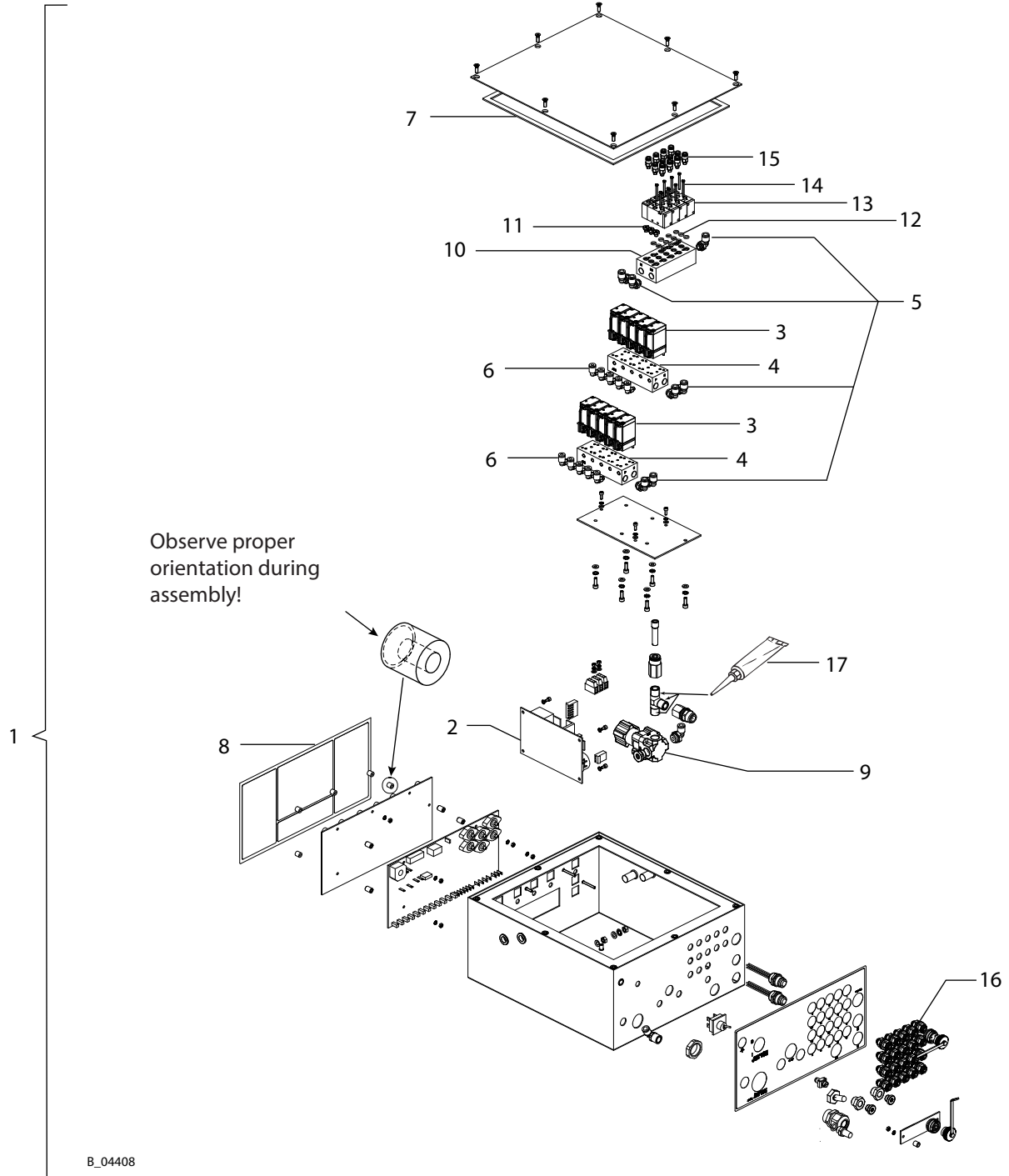
**Pos 20:** TC generator conversion set including Assembly Manual No. 2336796

## 6.6 CONTROL UNIT TWINCONTROL 3 V4 NON-EX

Spare parts list

Pos	K	Stk	Order No.	Designation
1		1	2327831	Control unit, TwinControl 3 V4 non-Ex
2		1	2301008	Switching power supply
3	◆	10	2301068	Solenoid valve 3/2
4		2	2334584	Valve housing (Extension set TC, for details see Chapter 14.2)
5		7	9998110	Screw in angle
6		10	9992724	Male stud elbow
7	◆	1	263327	Seal
8		1	393500	Front plate, TwinControl
9		1	9943151	Pressure regulator
10		1	393712	Valve block 5/2
11		3	9998674	Threaded plug M5
12	◆	12	9974180	O-ring
13	◆	4	9943146	Pneumatic valve 5/2
14		8	2301062	Head cap screw with slit
15		12	9992723	Plug-in connection, straight
16		20	9999064	Plug connection
17		1	9992528	Loctite® 270

◆ = Wearing parts



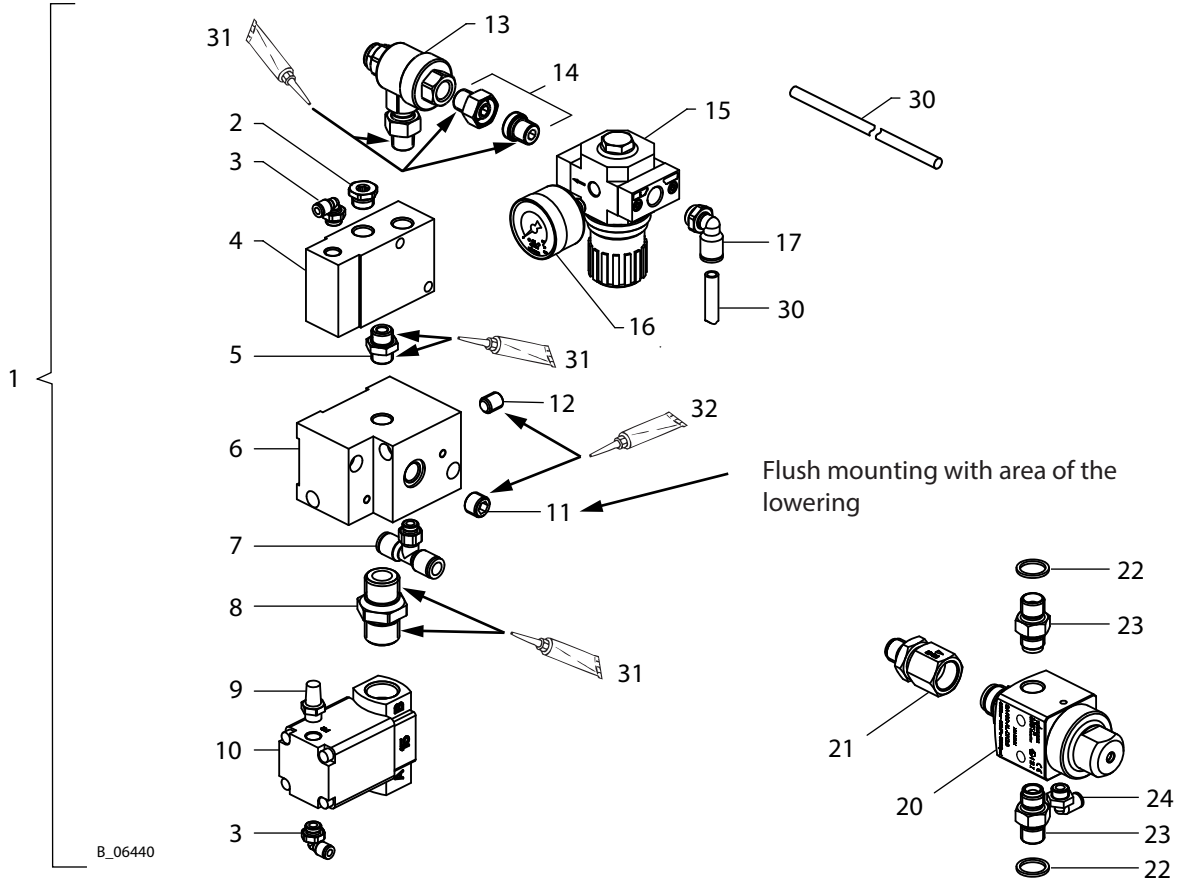
## 7 SOFT CIRCULATION

### 7.1 SOFT CIRCULATION LEOPARD

Spare parts list soft circulation Leopard

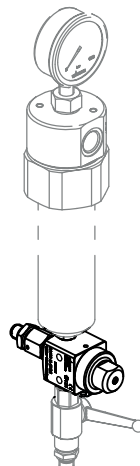
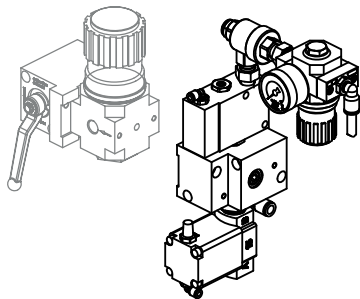
Pos	K	Stk	Order No.	Designation
1		1	2307131	Soft circulation Leopard
2		1	9998274	Threaded plug, G1/4"
3		2	9999066	Screw in angle
4	◆	1	2312286	Pneumatic valve
5		1	9985720	Double nipple
6		1	2329369	Distributor block LR-D Midi 6
7		1	9992758	Screw connector T
8		1	9985598	Double fitting GF-280
9		1	9991761	Silencer
10	◆	1	9999586	2/2 directional valve, pneumatically operated
11		1	104376	Screw plug
12		1	9935040	Threaded pin with hexagon socket / flat point
13	◆	1	3102576	Quick exhaust valve
14		1	9998719	Detachable double fitting
15	◆	1	2329067	Pressure regulator valve LR-1/4-D-Mini with AP
16	◆	1	9998677	Pressure gauge, 0-10 bar RF40 (d40)
17		1	9998253	Male stud elbow, 8-1/4 Ex
20	◆	1	350032	Circulation Valve GA400 AL (for details, see the Automatic Airless Spray Gun GA400 AL Operating Manual)
21		1	393450	Swivel piece, complete
22	◆	2	9970123	Sealing ring
23		2	2331174	Fitting, DF-MM-G1/4-G1/4-530 bar-SSt
24		1	3661546	Angled threaded fitting
30		2 m	9982062	Hose, blue AD 8 x 1.25
31		1	9992528	Loctite® 270
32		1	9992831	Loctite® 542

◆ = Wearing parts

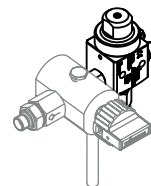


**Installation**

for pumps from 48-110



for pumps to 35-150

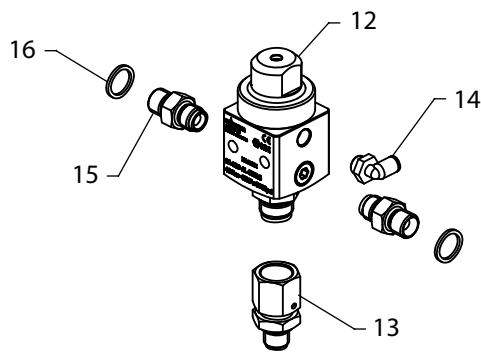
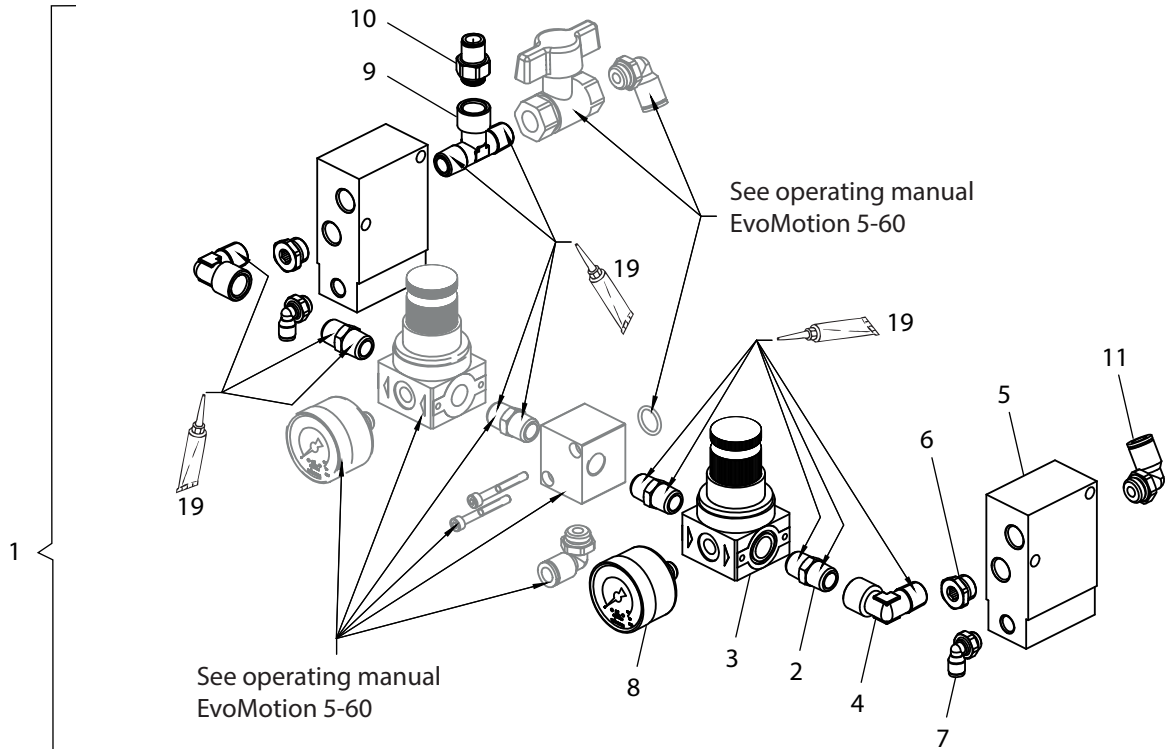


## 7.2 CIRCULATION SOFT EVOMOTION

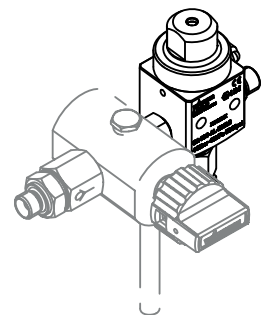
Spare parts list circulation soft EvoMotion

Pos	K	Stk	Order No.	Designation
1		1	2344739	Circulation soft EvoMotion 5-60
2		3	M205.04	Double nipple
3	◆	1	P123.00	Air pressure regulator, 1/4"
4		2	2310379	Elbow mf zinc plated
5	◆	2	2312286	Pneumatic valve
6		2	9998274	Threaded plug, G1/4"
7		2	9999066	Male stud elbow
8	◆	1	9998677	Pressure gauge, 0-10 bar RF40 (d40)
9		1	2325532	T-piece mfm
10		1	9998254	Straight screw-in fitting, 8 mm - 1/4"
11		1	9998253	Male stud elbow, 8-1/4 Ex
12	◆	1	350032	Circulation Valve GA400 AL (for details, see the Automatic Airless Spray Gun GA400 AL Operating Manual)
13		1	393450	Swivel piece, complete
14		1	3661546	Angled threaded fitting
15		2	2331174	Fitting, DF-MM-G1/4-G1/4-530 bar-SSt
16	◆	2	9970123	Sealing ring
17		0.8 m	9982078	Hose, black PUR 8/5,5
18		10 m	9982072	Hose, black 4/2.5 PU
19		1	9992528	Loctite® 270

◆ = Wearing parts



**Installation at relief  
combination**



B\_04733

## 8 MIXER

### 8.1 VALVE GROUP FOR INTERNAL MIXER

#### 8.1.1 STANDARD SYSTEM

Spare parts list for valve group for internal mixer

Pos	K	Stk	Order No.	Designation
2		1	393308	Mounting valve block
3		4	3155404	Contact washer, M08
4		2	9900130	Hexagon screw without shaft
5		2	9910107	Hexagon nut, M8
6		4	9925031	Washer 6.4
7		4	9921502	Lock washer, A6.0
8		4	9900111	Hexagon screw without shaft
9	◆	1	9970153	Sealing ring
10		3	384323	Plug
11		3	104376	Screw plug
12		1	384329	Filling part
13	◆	1	9974164	O-ring
14		4	9900336	Hexagon socket head cap screw, M06X40
16		3	2331174	Fitting, DF-MM-G1/4-G1/4-530 bar-SSt
17	◆	2	2329026	Inline filter, HL DN6-PN530-G1/4"-SSt Details and filter insert see Chapter 8.12
18	◆	1	2342808	Valve DV400-DN2.6-PTFE-TC* Refer to the dosing valve operating manual for details
19	◆	1	2342807	Valve PV400-DN2.6-PTFE-TC* Refer to the paint valve operating manual for details
20		1	9992831	Loctite® 542
21		1	9992616	Molykote® DX grease

◆ = Wearing parts

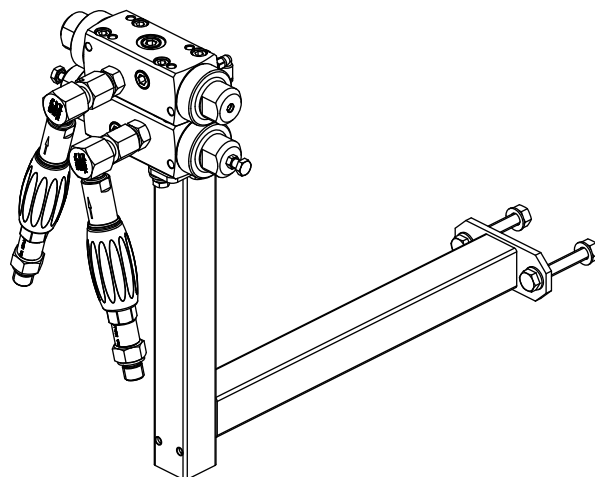
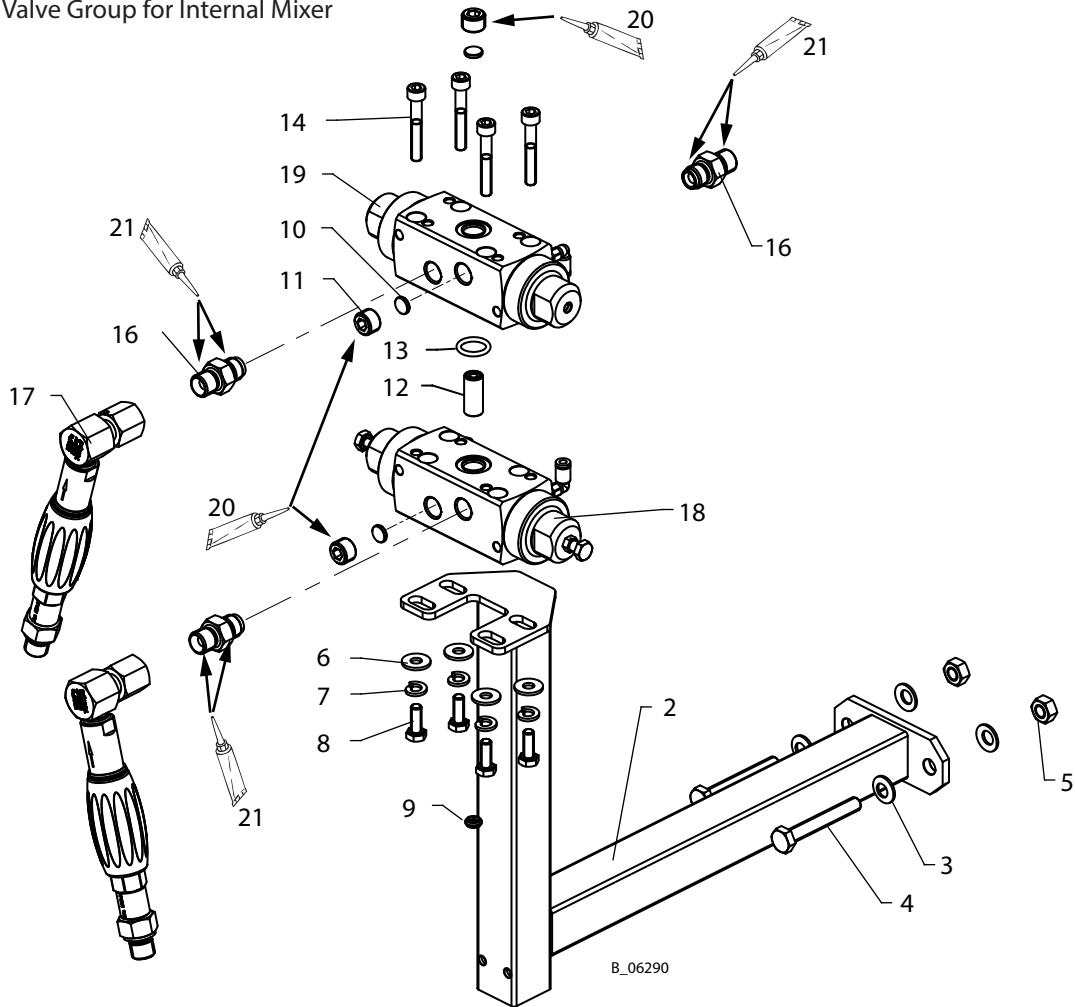
\*TC = Carbide

**Note:**

Suitable mixing tube → see Chapter 8.13.



Valve Group for Internal Mixer



### 8.1.2 SYSTEM FOR ACID CATALYST (1.4404)

Spare parts list Valve Group for Internal Mixer 1.4404

Pos	K	Stk	Order No.	Designation
2		1	393308	Mounting valve block
3		4	3155404	Contact washer, M08
4		2	9900130	Hexagon screw without shaft
5		2	9910107	Hexagon nut, M8
6		4	9925031	Washer 6.4
7		4	9921502	Lock washer, A6.0
8		4	9900111	Hexagon screw without shaft
9	◆	1	2370236	Seal 1.4404
10		2	384323	Plug
11		3	104376	Screw plug
12		1	384329	Filling part
13	◆	1	9974164	O-ring
14		4	9900336	Hexagon socket head cap screw, M06X40
16		3	2331174	Fitting, DF-MM-G1/4-G1/4-530 bar-SSt
17	◆	1	2329026	Inline filter, HL DN6-PN530-G1/4"-SSt Details and filter insert see Chapter 8.12
18	◆	1	2370685	Valve, DV400-DN2.6-PTFE-TC* 1.4404 Refer to the dosing valve operating manual for details
19	◆	1	2342807	Valve PV400-DN2.6-PTFE-TC* Refer to the paint valve operating manual for details
20		1	2370230	Plug, PE
21		1	2331273	Fitting-EF-FM-G1/4-G1/4-530bar-SSt
30		1	9992831	Loctite® 542
31		1	9992616	Molykote® DX grease

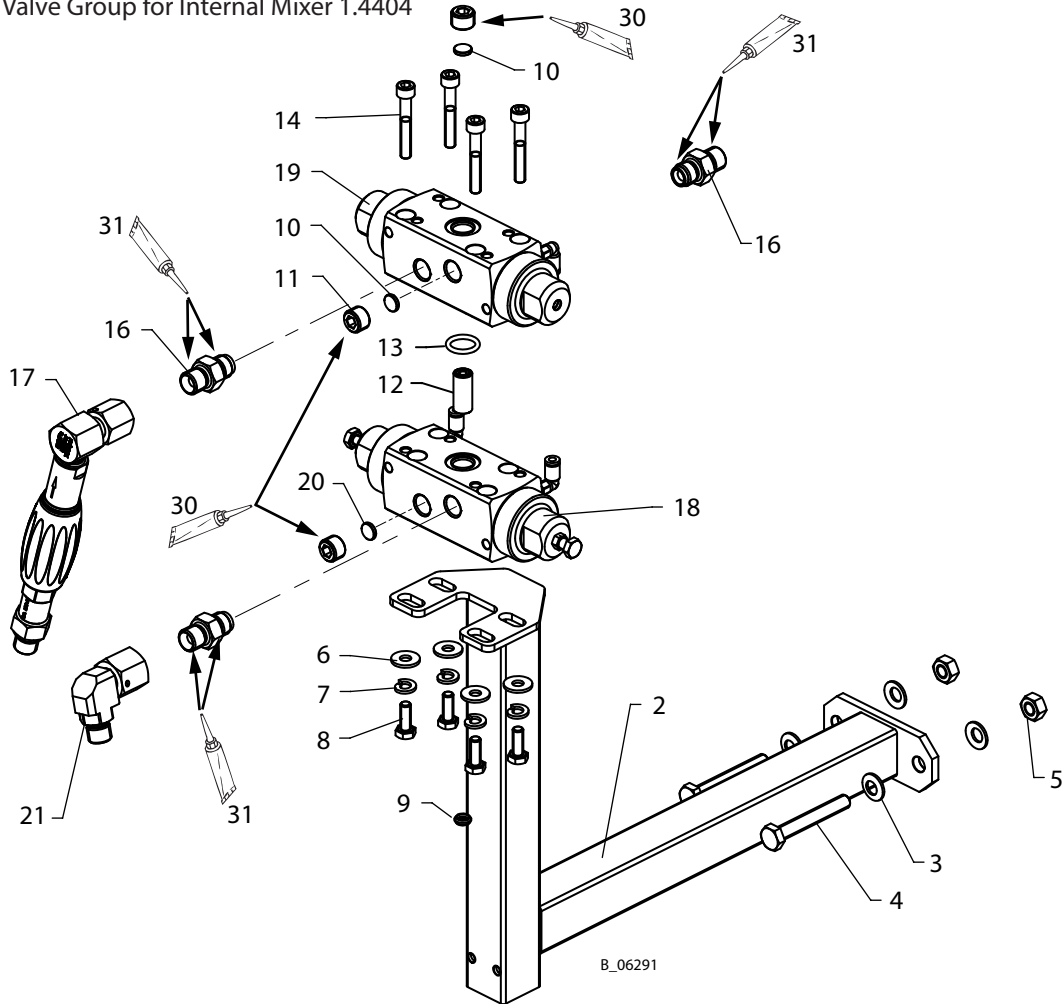
◆ = Wearing parts

\* TC = Carbide

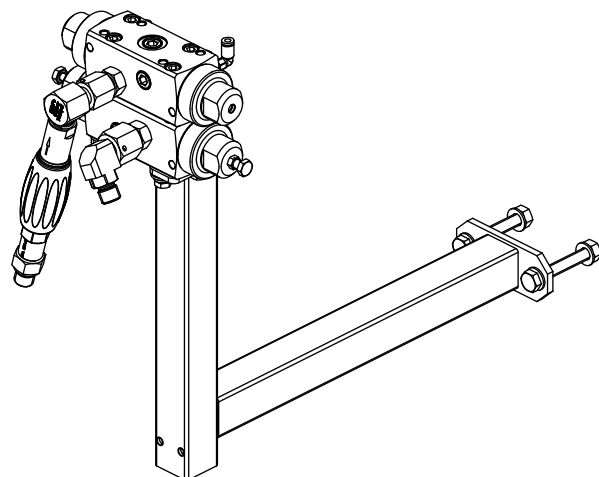
**Note:**

Suitable mixing tube → see Chapter 8.13.

Valve Group for Internal Mixer 1.4404



B\_06291



## 8.2 VALVE GROUP FOR INTERNAL LOW-PRESSURE MIXER

### 8.2.1 STANDARD SYSTEM

Spare parts list valve group for internal low-pressure mixer

Pos	K	Stk	Order No.	Designation
2		1	393308	Mounting valve block
3		4	3155404	Contact washer, M08
4		2	9900130	Hexagon screw without shaft
5		2	9910107	Hexagon nut, M8
6		4	9925031	Washer 6.4
7		4	9921502	Lock washer, A6.0
8		4	9900111	Hexagon screw without shaft
9	◆	2	2306793	Paint valve, SS 4 mm / 5 bar / 100 bar Refer to the paint valve operating manual for details
10	◆	1	9970153	Sealing ring
11		3	2305038	Plug
12		3	104376	Screw plug
13		1	384329	Filling part
14	◆	1	9974164	O-ring
15		4	9900336	Hexagon socket head cap screw, M06X40
16		3	9992724	Male stud elbow
17	◆	2	2329026	Inline filter, HL DN6-PN530-G1/4"-SSt Details and filter insert see Chapter 8.12
18		1	9907250	Hexagon screw without shaft
19		1	9913058	Hexagon nut
20		1	389064	Separating agent supply
21		3	2331174	Fitting, DF-MM-G1/4-G1/4-530 bar-SSt
22		1	9985720	Double nipple
23		1	9998694	Non-return valve
24		1	9992103	Threaded elbow fitting
25		1	2331950	Filter control valve (including item 90)
26	◆	1	9998677	Pressure gauge, 0-10 bar RF40 (d40)
27		2	9998253	Male stud elbow, 8-1/4 Ex
28		1	2331938	Mounting bracket
29		4	9920104	Washer, A4.3
30		2	9922101	Serrated washer, externally toothed
31		4	3067610	Hexagon socket cylinder head screw
32		1	2366466	Contact plate
33		1	3159464	Y-plug connection
40		1	9992831	Loctite® 542
41		1	9992616	Molykote® DX grease
90		1	2360259	Filter cup with manual drain (for item 25)

◆ = Wearing parts

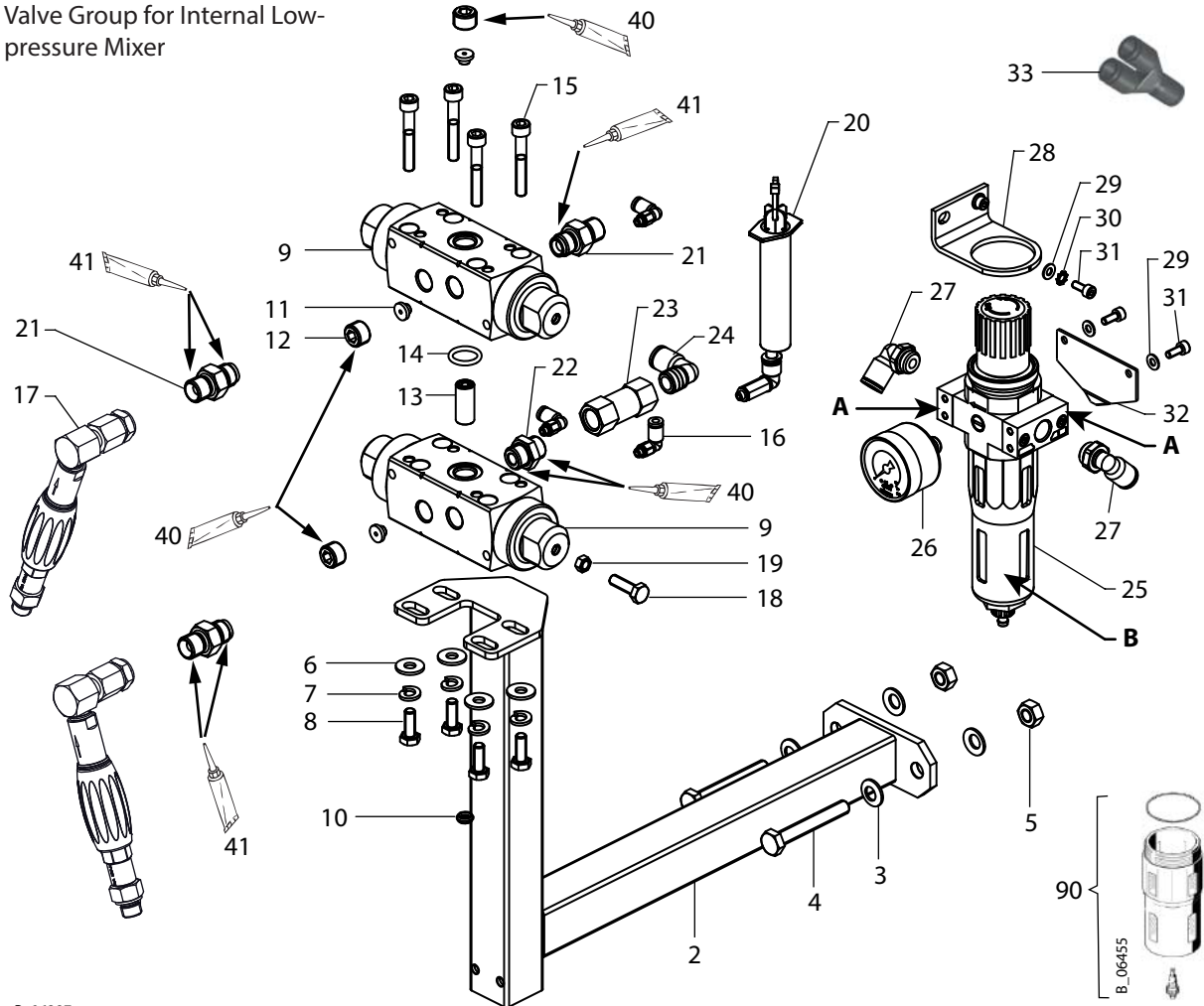
**Note:**

Suitable mixing tube → see Chapter 8.13.

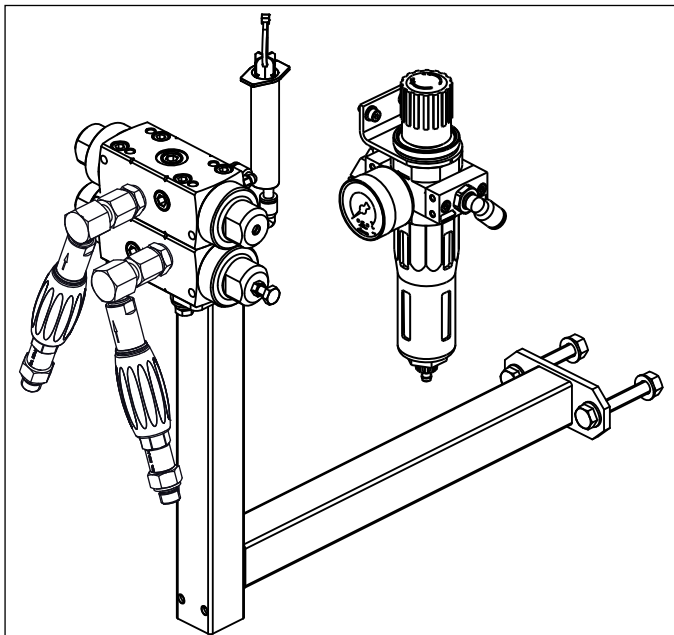
**SPARE PARTS CATALOG**



Valve Group for Internal Low-pressure Mixer



B\_06287



A	Turn the both mounting plates 180°. Thread rear.
B	<ol style="list-style-type: none"> <li>1. Filter control valve (25): Remove the filter cup (B)</li> <li>2. Mount contact sheet (32)</li> <li>3. Screw and unscrew 3 times the filter cup (B). → Produces a contact point through the coating of the filter cup (B).</li> </ol>

## 8.2.2 SYSTEM FOR ACID CATALYST (1.4404)

Spare parts list Valve Group for Internal Low-pressure Mixer 1.4404

Pos	K	Stk	Order No.	Designation
2		1	393308	Mounting valve block
3		4	3155404	Contact washer, M08
4		2	9900130	Hexagon screw without shaft
5		2	9910107	Hexagon nut, M8
6		4	9925031	Washer 6.4
7		4	9921502	Lock washer, A6.0
8		4	9900111	Hexagon screw without shaft
9	◆	1	2306793	Paint valve, SS 4 mm / 5 bar / 100 bar Refer to the paint valve operating manual for details
11		2	2305038	Plug
12		3	104376	Screw plug
13		1	384329	Filling part
14	◆	1	9974164	O-ring
15		4	9900336	Hexagon socket head cap screw, M06X40
16		1	9992724	Male stud elbow
17	◆	1	2329026	Inline filter, HL DN6-PN530-G1/4"-SSt Details and filter insert see Chapter 8.12
21		3	2331174	Fitting, DF-MM-G1/4-G1/4-530 bar-SSt
22		1	9985720	Double nipple
23		1	9998694	Non-return valve
24		1	9992103	Threaded elbow fitting
25		1	2331950	Filter control valve (including item 90)
26	◆	1	9998677	Pressure gauge, 0-10 bar RF40 (d40)
27		2	9998253	Male stud elbow, 8-1/4 Ex
28		1	2331938	Mounting bracket
29		4	9920104	Washer, A4.3
30		2	9922101	Serrated washer, externally toothed
31		4	3067610	Hexagon socket cylinder head screw
32		1	2366466	Contact plate
33		1	3159464	Y-plug connection
34		1	2331273	Fitting-EF-FM-G1/4-G1/4-530bar-SSt
35		1	2370230	Plug, PE
36	◆	1	2370685	Valve, DV400-DN2.6-PTFE-TC* 1.4404 Refer to the dosing valve operating manual for details
37	◆	1	2370236	Seal 1.4404
40		1	9992831	Loctite® 542
41		1	9992616	Molykote® DX grease
90		1	2360259	Filter cup with manual drain (for item 25)

◆ = Wearing parts

\* TC = Carbide

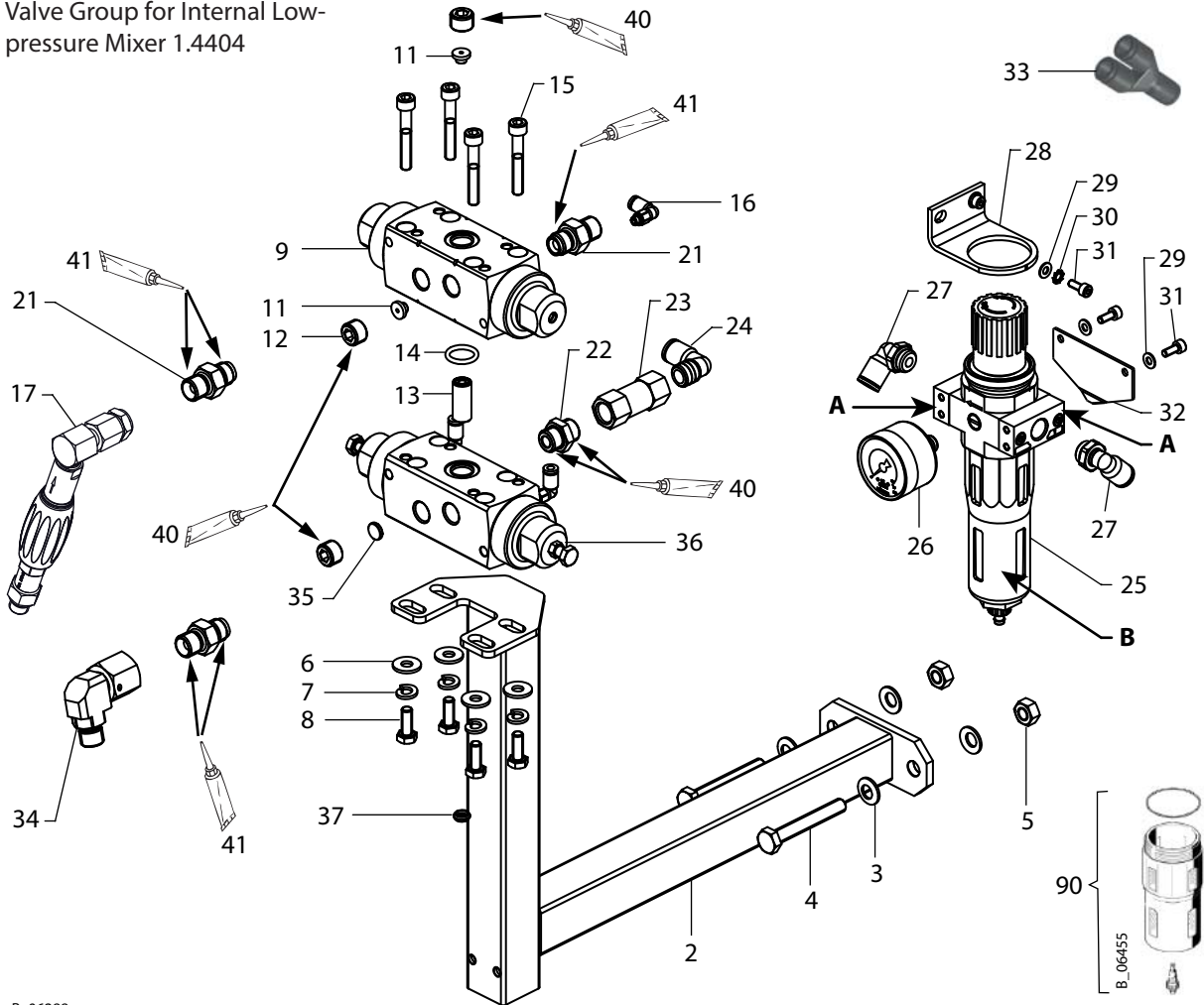
### Note:

Suitable mixing tube → see Chapter 8.13.

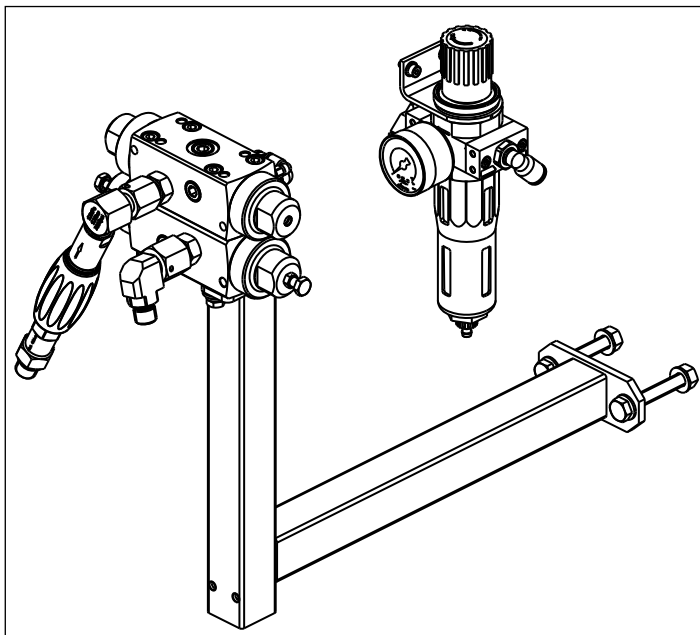
SPARE PARTS CATALOG



Valve Group for Internal Low-pressure Mixer 1.4404



B\_06288



A	Turn the both mounting plates 180°. Thread rear.
B	<ol style="list-style-type: none"> <li>1. Filter control valve (25): Remove the filter cup (B)</li> <li>2. Mount contact sheet (32)</li> <li>3. Screw and unscrew 3 times the filter cup (B). → Produces a contact point through the coating of the filter cup (B).</li> </ol>

### 8.3 INTERNAL MEDIUM MIXER

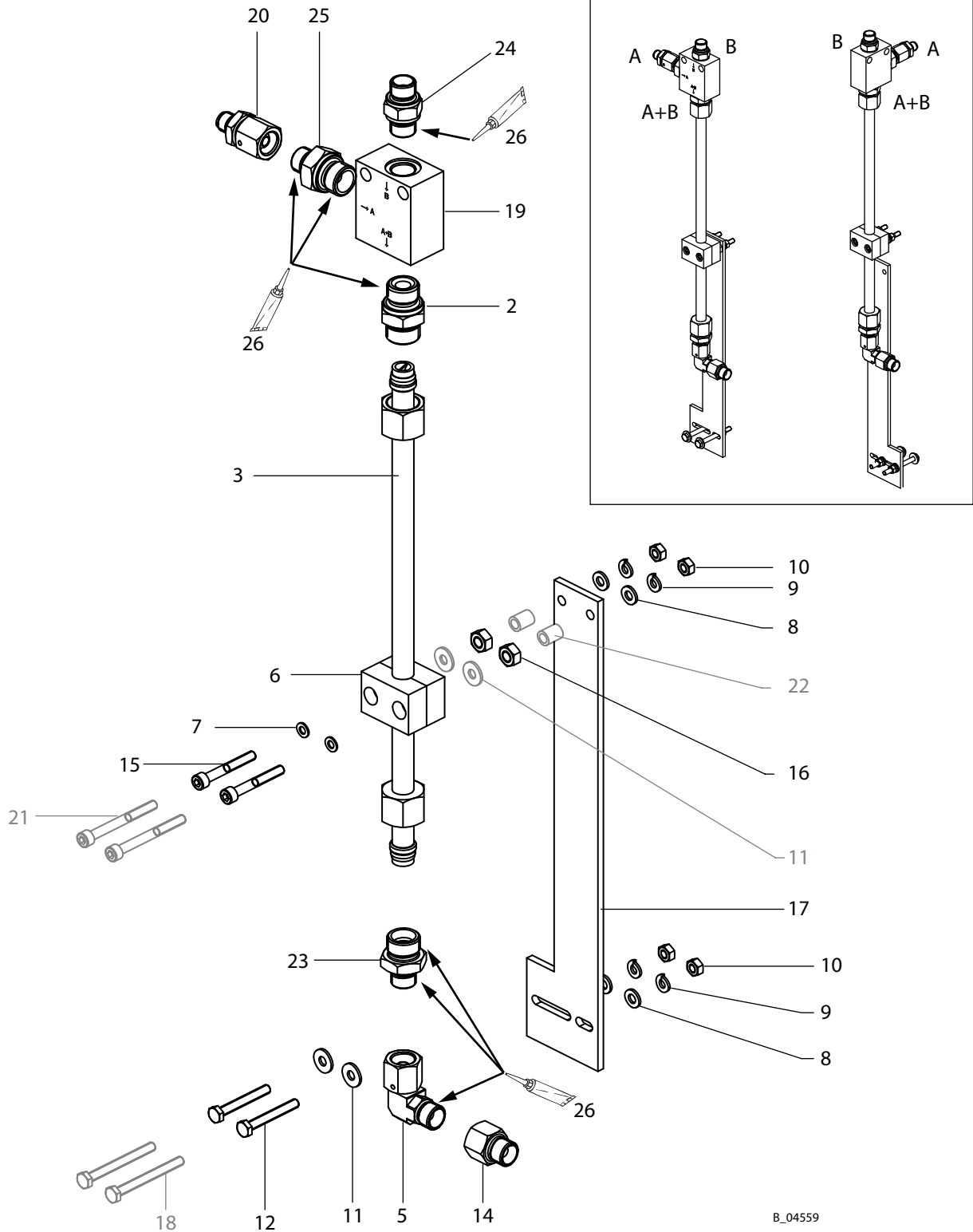
Components				Small frame	
				without heater	with heater
Pos	K	Stk	Designation	Order No.	Order No.
2		1	Straight threaded fitting 1/2" 16S	9999085	
3	◆	1	Mixer 10-24VA	104818	
5		1	Fitting-90°-FM-G3/8-G3/8-PN530-SSt	2331309	
6		1	Pipe clamp pair	9998683	
7		2	Washer, B5.3	9920101	
8		4	Washer, A6.4, DIN 125	9920103	
9		4	Lock washer, A6.0	9921502	
10		4	Hexagon nut	9910102	
11		2	Washer 6.4	9925031	
		4	Washer 6.4 *		
12		2	Hexagon screw without shaft	9900126	
14		1	Fitting-RF-FM-G3/8-NPS3/8-PN530-SSt	2332620	
15		2	Hexagon socket cylinder head screw	9900316	
16		2	Hexagon nut, M8	9910107	
17		1	Retaining strip	2332794	
18		2	Hexagon screw without shaft *		
19	◆	1	Mixing block	377543	
20		1	Fitting-SF-FM-G3/8"-G1/4"-PN530-SSt	2331971	
21		2	Hexagon socket head cap screw without shaft *		
22		2	Distance bush *		
23		1	Fitting DF-MM-M22x1.5-G3/8-PN530-SSt	2332966	
24		1	Fitting-DF-MM-G3/8-G3/8-PN530-SSt	2330775	
25		1	Fitting-DF-MM-G1/2-G3/8-PN530-SSt	2330780	
26		1	Molykote® DX grease	9992616	

◆ = Wearing parts

\* are not used with small frame



Internal Medium Mixer  
on small frame



## 8.4 INTERNAL MIXER TROLLEY

### 8.4.1 STANDARD SYSTEM

Spare parts list Internal Mixer Trolley

Pos	K	Stk	Order No.	Designation
2		1	2303660	Mounting valve block
3		2	2301097	Strap D34
4		10	9920103	Washer, A6.4, DIN 125
5		8	9921502	Lock washer, A6.0
6		4	9900106	Hexagon screw without shaft
7	◆	1	2342807	Valve, PV400-DN2.6-PTFE-TC* complete Refer to the paint valve operating manual for details
8		4	9900111	Hexagon screw without shaft
9	◆	1	9970153	Sealing ring
10	◆	1	9974164	O-ring
11		1	384329	Filling part
12	◆	1	2342808	Valve DV400-DN2.6-PTFE-TC* complete Refer to the dosing valve operating manual for details
13		2	384323	Plug
14		2	104376	Screw plug
15		4	9900336	Hexagon socket head cap screw, M06X40
17	◆	2	2329026	Inline filter, HL DN6-PN530-G1/4"-SSt Details and filter insert see Chapter 8.12
18		2	2331273	Fitting-EF-FM-G1/4-G1/4-530bar-SSt
19	◆	1	384083	Mixing tube, complete 6-32E (including pos. 27)
20		1	2332619	Fitting RF-FM-G1/4-1/4NPSM-530 bar-SSt
21		1	9998420	Pipe clamp pair
22		2	9920806	Washer
23		2	9900338	Hexagon socket cylinder head screw
24		3	2331174	Fitting, DF-MM-G1/4-G1/4-530 bar-SSt
25		1	2332821	Fitting, DF-MM-M18x1.5-G1/4-530 bar-SSt
26		1	9998788	Straight threaded fitting GEV-10L-R
27	◆	1.33	9999136	Mixing element, 24 elements (assembly, see Chapter 8.13)
28		1	9992831	Loctite® 542
29		1	9992616	Molykote® DX grease

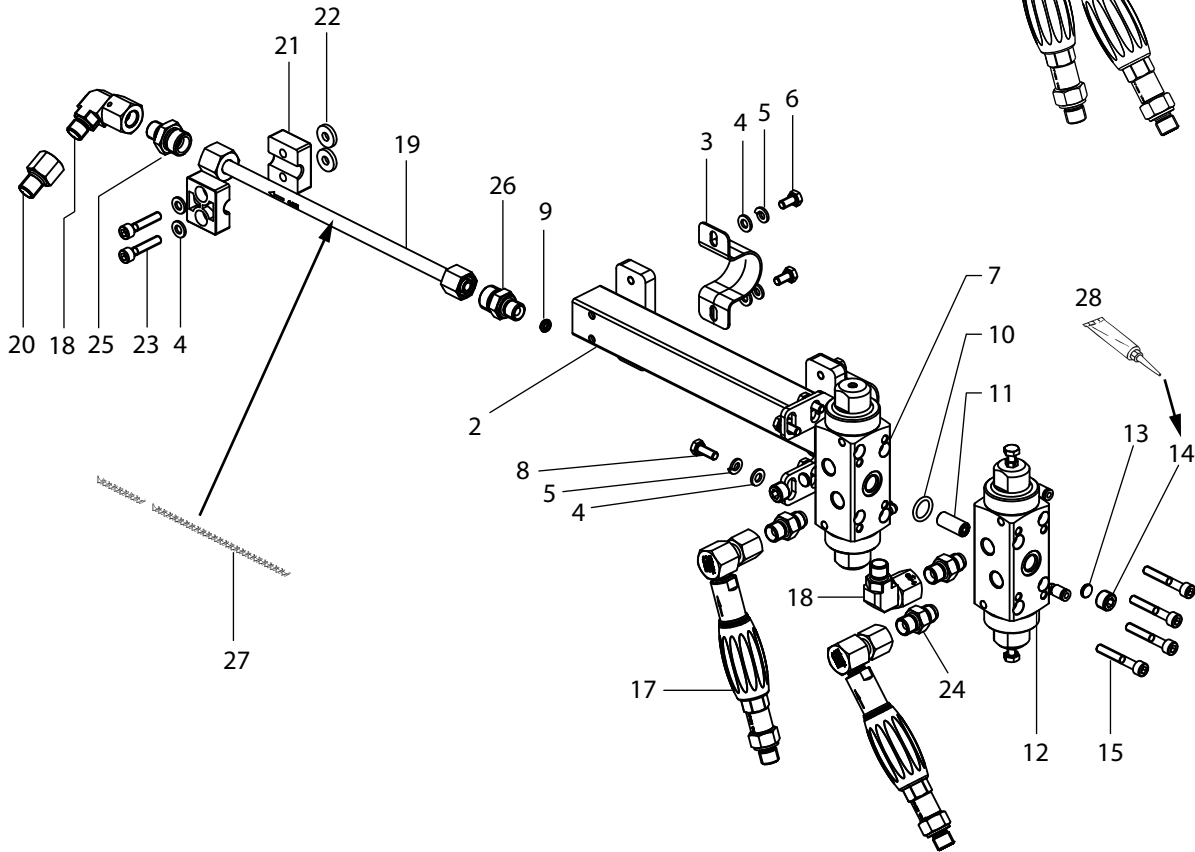
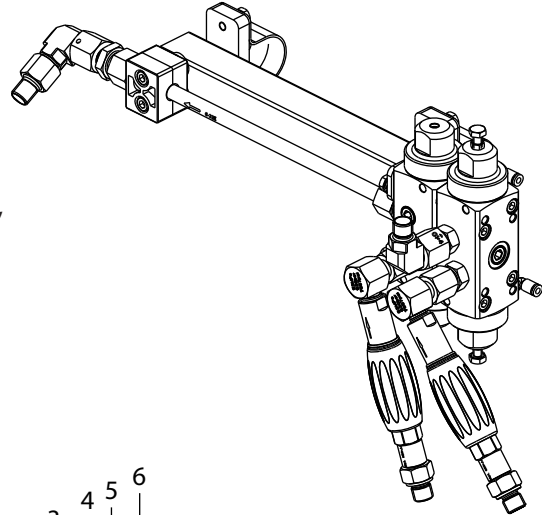
◆ = Wearing parts

\* TC = Carbide

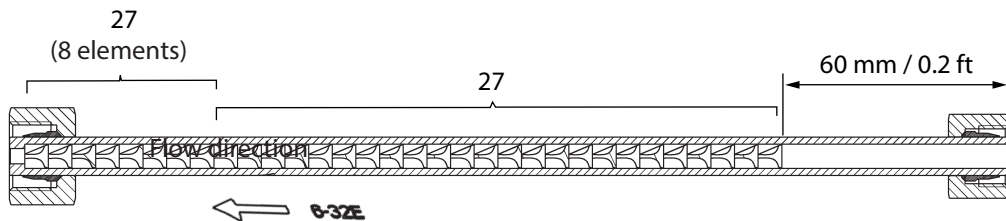
Internal Mixer Trolley



**Pos.** Lubricate all stainless steel fittings with Molykote®,  
**29:** except those who explicitly request something different (e.g., Loctite®).



**Mixing tube (19) with mixing element (27)**



**Remove the mixing elements:**

Discharge the mixing elements against the flow direction with an iron bar (Ø 3 mm; 0.11 inch).

### 8.4.2 SYSTEM FOR ACID CATALYST (1.4404)

Spare parts list Internal Mixer Trolley 1.4404

Pos	K	Stk	Order No.	Designation
2		1	2303660	Mounting valve block
3		2	2301097	Strap D34
4		10	9920103	Washer, A6.4, DIN 125
5		8	9921502	Lock washer, A6.0
6		4	9900106	Hexagon screw without shaft
7	◆	1	2342807	Valve, PV400-DN2.6-PTFE-TC* complete Refer to the paint valve operating manual for details
8		4	9900111	Hexagon screw without shaft
9	◆	1	9970153	Sealing ring
10	◆	1	9974164	O-ring
11		1	384329	Filling part
12	◆	1	2370685	Valve, DV400-DN2.6-PTFE-TC* 1.4404 Refer to the dosing valve operating manual for details
13		1	384323	Plug
14		2	104376	Screw plug
15		4	9900336	Hexagon socket head cap screw, M06X40
16		1	2370230	Plug, PE
17	◆	1	2329026	Inline filter, HL DN6-PN530-G1/4"-SSt Details and filter insert see Chapter 8.12
18		3	2331273	Fitting-EF-FM-G1/4-G1/4-530bar-SSt
19	◆	1	384083	Mixing tube, complete 6-32E (including pos. 27)
20		1	2332619	Fitting RF-FM-G1/4-1/4NPSM-530 bar-SSt
21		1	9998420	Pipe clamp pair
22		2	9920806	Washer
23		2	9900338	Hexagon socket cylinder head screw
24		3	2331174	Fitting, DF-MM-G1/4-G1/4-530 bar-SSt
25		1	2332821	Fitting, DF-MM-M18x1.5-G1/4-530 bar-SSt
26		1	9998788	Straight threaded fitting GEV-10L-R
27	◆	1.33	9999136	Mixing element, 24 elements (assembly, see Chapter 8.13)
28		1	9992831	Loctite® 542
29		1	9992616	Molykote® DX grease

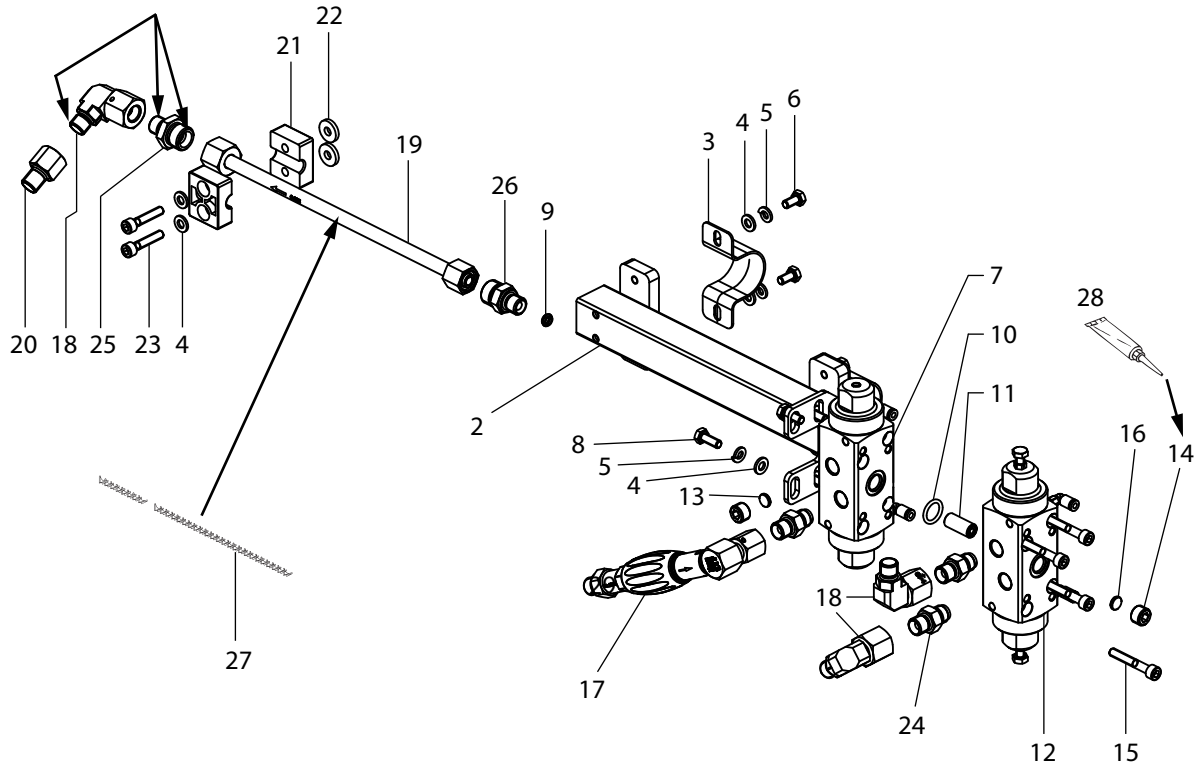
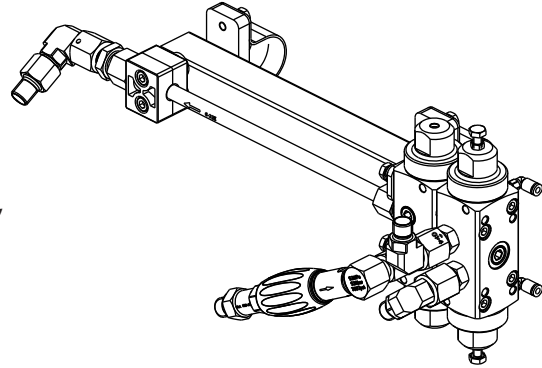
◆ = Wearing parts

\* TC = Carbide

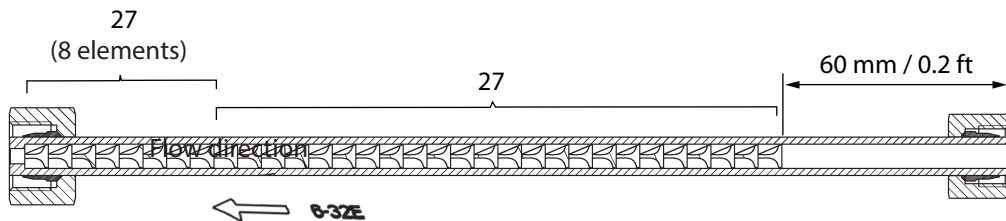
Internal Mixer Trolley 1.4404



**Pos.** Lubricate all stainless steel fittings with Molykote®,  
**29:** except those who explicitly request something different (e.g., Loctite®).



**Mixing tube (19) with mixing element (27)**



B\_06293

**Remove the mixing elements:**

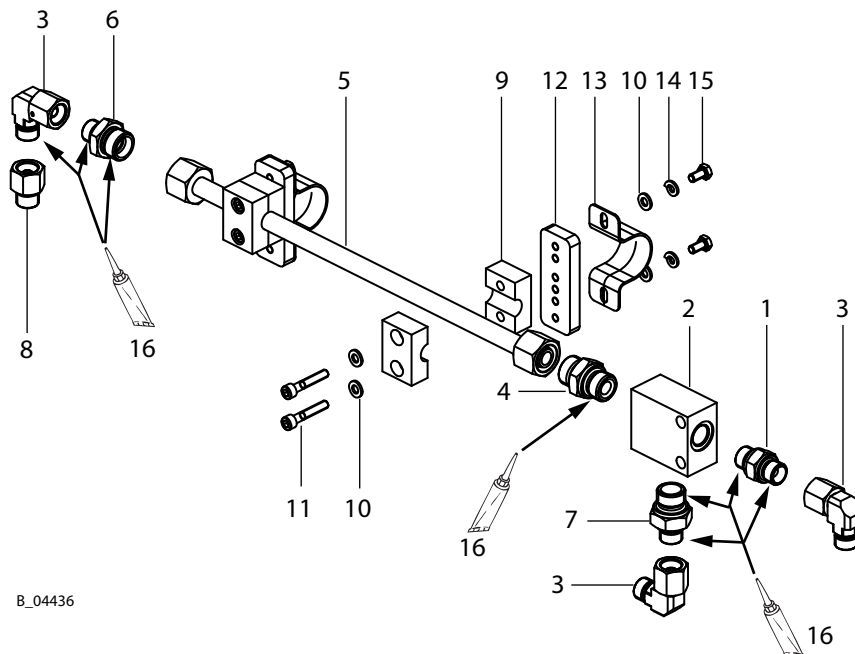
Discharge the mixing elements against the flow direction with an iron bar (∅ 3 mm; 0.11 inch).

**8.5 INTERNAL MEDIUM MIXER TROLLEY**

Spare parts list

Pos	K	Stk	Order No.	Designation
1		1	2330775	Fitting-DF-MM-G3/8-G3/8-PN530-SSt
2	◆	1	377543	Mixing block
3		3	2331309	Fitting-90°-FM-G3/8-G3/8-PN530-SSt
4		1	9999085	Straight threaded fitting 1/2" 16S
5	◆	1	104818	Mixer 10-24VA
6		1	2332966	Fitting DF-MM-M22x1.5-G3/8-PN530-SSt
7		1	2330780	Fitting-DF-MM-G1/2-G3/8-PN530-SSt
8		1	2332620	Fitting-RF-FM-G3/8-NPS3/8-PN530-SSt
9		2	9998683	Pipe clamp pair
10		8	9920103	Washer, A6.4, DIN 125
11		4	9900333	Hexagon socket cylinder head screw
12		2	2301096	Plate strap
13		2	2301097	Strap D34
14		4	9921502	Lock washer, A6.0
15		4	9900106	Hexagon screw without shaft
16		1	9992616	Molykote® DX grease

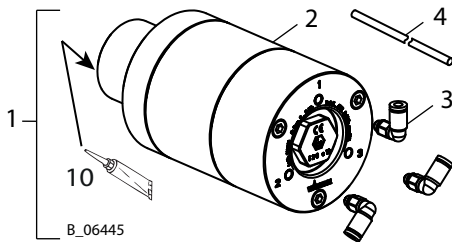
◆ = Wearing parts



B\_04436

**8.6 AIS**

**8.6.1 AIS FOR DV100 / DV 400 VALVES**

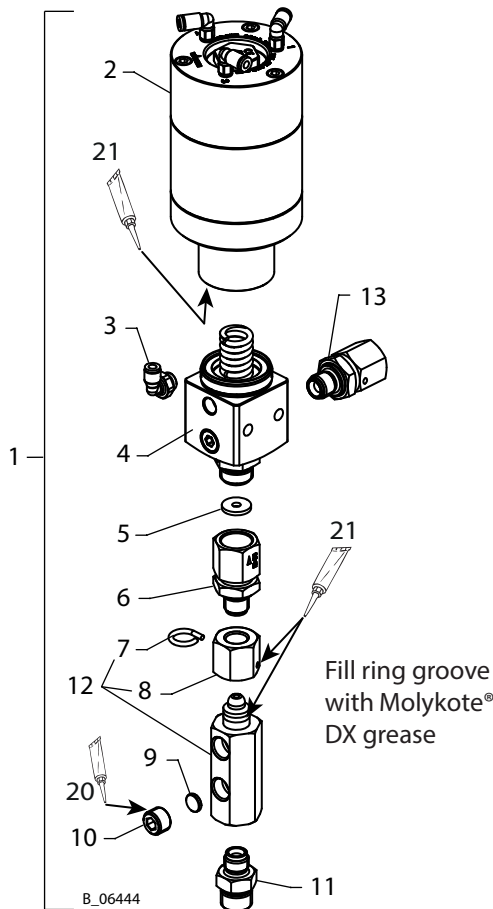


Spare parts list

Pos K	Stk	Order No.	Designation
1	1	2346228	AIS motor set
2	1	--	AIS motor
3	3	9992724	Male stud elbow
4	3 m	9982072	Hose black, PUR 4/2,7
10	1	9992616	Molykote® DX grease

◆ = Wearing part

**8.6.2 AIS FOR PUMPS 48-110 UND 75-150**



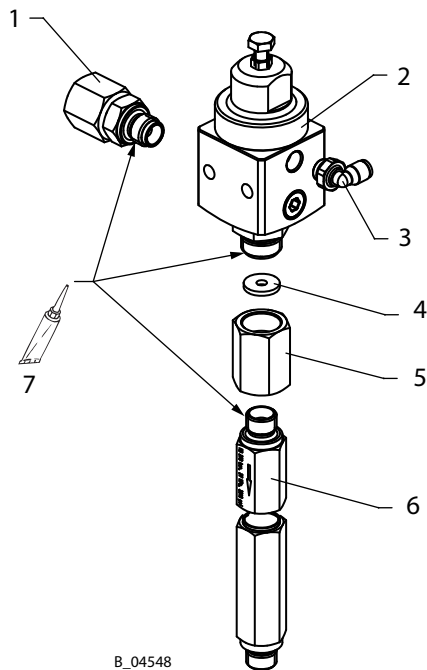
Spare parts list

Pos K	Stk	Order No.	Designation
1	1	2373390 **	AIS set, TC from 48-110
2	1	2346228	AIS motor For details, see Chapter 8.6
3	1	9999066	Male stud elbow
4	◆ 1	2343362	Valve, GA400-DV-DN2.6-PTFE-TC* complete Refer to the valve operating manual for details
5	1	350489	Seal
6	1	393450	Fitting, SF-FM-11/16UN-G1/4-530 bar-SSt
7	1	17492	Pin
8	1	2331265	Fitting nut-G1/4
9	1	384323	Plug
10	1	104376	Screw plug
11	1	2331173	Fitting, DF-MM-G3/8-G1/4-530 bar-SSt
12	1	2339611	Distributor, G1/4"
13	1	2331971	Fitting, SF-FM-G3/8-G1/4-530 bar-SSt
20	1	9992831	Loctite® 542
21	1	9992616	Molykote® DX grease

◆ = Wearing part

\* TC = Carbide

\*\* including conversion of control unit 2 to AIS

**8.7 SMALL VALVE GROUP FOR EXTERNAL MIXER**

B\_04548

For pumps 5-60, 10-70, 15-70, 15-150, 21-110, 28-40, 35-70, 35-150.  
For components A and B.

## Spare parts list

Pos	K	Stk	Order No.	Designation
1		1	2332021	Fitting, SF-FM-G1/4-G1/4-530 bar-SSt
2	◆	1	2343362	Valve, GA400-DV-DN2.6-PTFE-TC* complete Refer to the valve operating manual for details
3		1	9999066	Male stud elbow
4	◆	1	350489	Seal
5		1	2333968	Fitting-RF-FF-G1/4-11/16 UN-PN530-SSt
6		1	2324558	Inline-Filter, DN6-PN270-G1/4"-SSt Details see Chapter 8.7.1
7		1	9992616	Molykote® DX grease

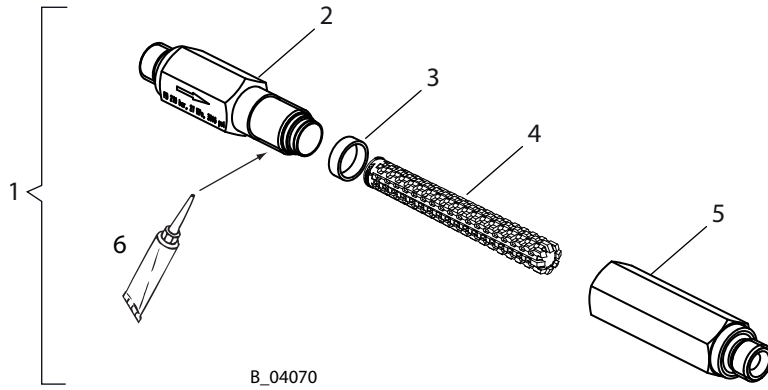
◆ = Wearing parts

\* TC = Carbide

Pumps 48-110, 8-300, 18-300, 3-600, 8-600: siehe Kapitel 9.6



**8.7.1 STRAIGHT INLINE FILTER (UP TO 27 MPA; 270 BAR; 3916 PSI)**



Spare parts list for straight inline filter (up to 27 MPa; 270 bar; 3916 psi)

Pos	K	Stk	Order No.	Designation
1		1	2324558	Inline filter DN6-PN270-G1/4"-SSt
2		1	2324550	Filter inlet housing
3	◆	1	128389	Seal
4	◆	1	--	Filter insert, yellow (middle), 100 mesh per inch *
	◆ ●	1	2315723	* Filter insert, red (fine), 200 mesh per inch – 10 pieces
	◆ ●	1	2315724	* Filter insert, blue (middle), 150 mesh per inch – 10 pieces
	◆ ●	1	2315725	* Filter insert, yellow (middle), 100 mesh per inch – 10 pieces
	◆ ●	1	2315726	* Filter insert, white (coarse), 50 mesh per inch – 10 pieces
5		1	2324551	Filter outlet housing
6		1	9992609	Anti-seize paste tube

◆ = Wearing parts

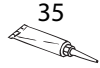
● = Not part of the standard equipment but available as a special accessory.

### 8.8 EXTERNAL MIXERS, MANUAL DN2.6 AND DN4

Components				DN 2.6	DN 4
Pos	K	Stk	Designation	Order No.	Order No.
1		1	External mixer, manual	2338297	2338298
2	◆	2	Valve, PV400-DN2.6-PTFE-TC* complete Refer to the paint valve operating manual for details	2342807	2306793
	◆	2	Paint valve, SS 4 mm / 5 bar / 100 bar Refer to the paint valve operating manual for details		
3	◆	1	O-ring	9974164	
4		1	Filling part	384329	
5	◆	1	Sealing ring	9970153	
6		2	Plug	384323	
7		2	Screw plug	104376	
8		6	Hexagon socket head cap screw, M06X40	9900336	
9		4	Hexagon socket cylinder head screw	9900335	
10		6	Washer, B5.3	9920101	
11		4	Spring washer	9921517	
12		4	Hexagon nut, M5	9910106	
13	◆	2	Basic valve 3/2-way	9943062	
14	◆	2	Control knob 9302	9943072	
15		2	Hinge	2306528	
16		1	Hood	2306529	
17		4	Male stud elbow	9992724	9992724
		7	Male stud elbow		
18		1	Handle	9999068	
19		2	Guard plate	2306530	
20	◆	2	Mini ball valve	2306536	
21		12	Washer, A6.4, DIN 125	9920103	
22		10	Hexagon screw without shaft	9900106	
23		10	Self-locking hexagon nut, M6, clamp	9910204	
24		8	Washer, A4.3	9920104	
25		8	Hexagon screws	9900231	
26		8	Self-locking hexagon nut	9910202	
27		2	Hexagon socket cylinder head screw	9900343	
28		2	Parallel pin	9935009	
29		4	Fitting-EF-FM-G1/4-G1/4-530bar-SSt	2331273	
30	◆	3	Non-return valve G1/4-G1/4-530 bar	2329021	
31		1	Holder sheet metal	2306527	
32		3	Fitting, SF-FM-G1/4-G1/4-530 bar-SSt	2332021	
33		1	Mixing tube set 6-32E TC (for details, see Chapter 8.13)	--	
34		1	Loctite® 542	9992831	
35		1	Molykote® DX grease	9992616	

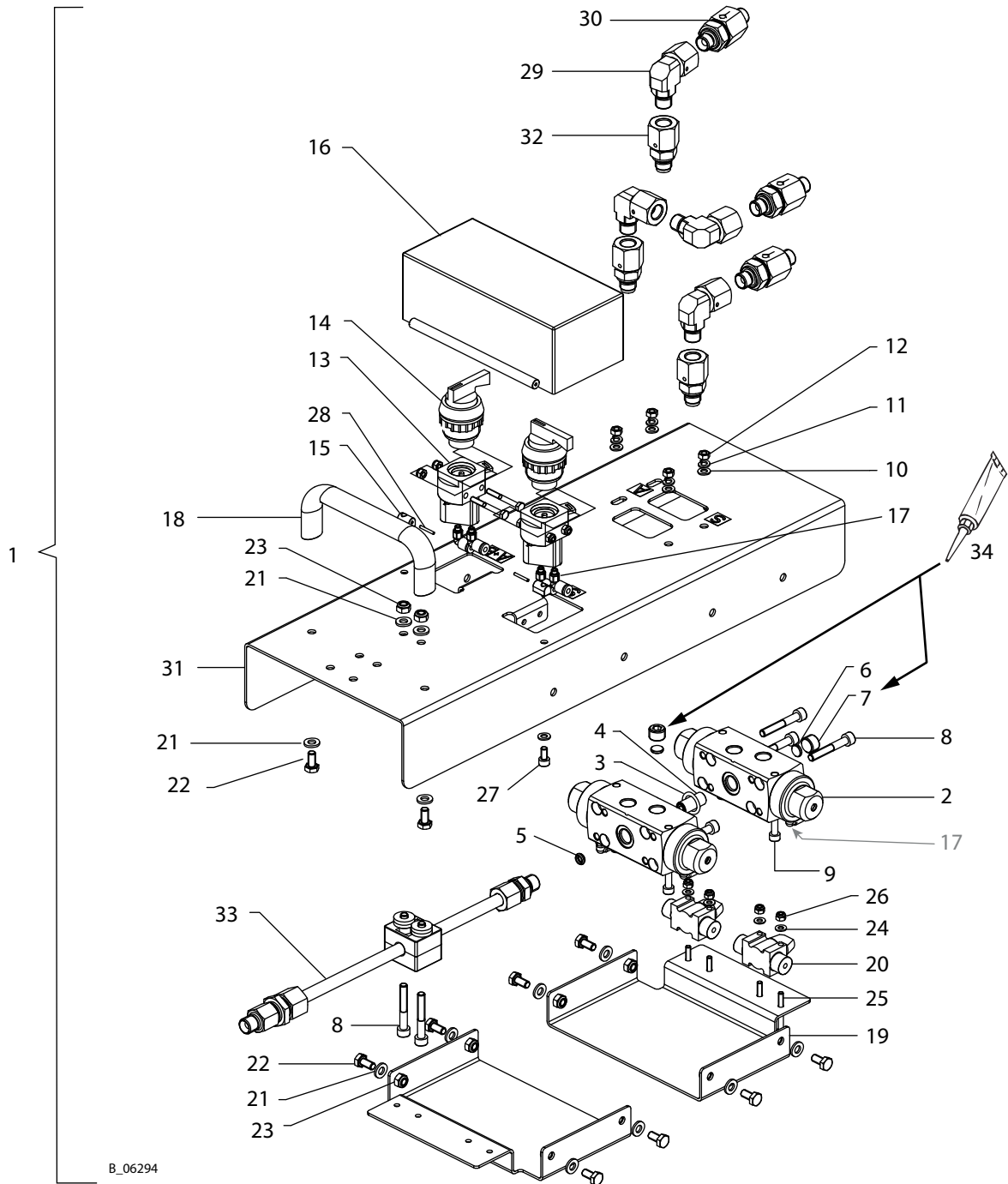
◆ = Wearing parts

\* TC = Carbide



35

Lubricate all stainless steel fittings with Molykote®, except those who explicitly request something different (e.g., Loctite®).



B\_06294

### 8.9 EXTERNAL MIXER, AUTOMATIC DN2.6 AND DN4

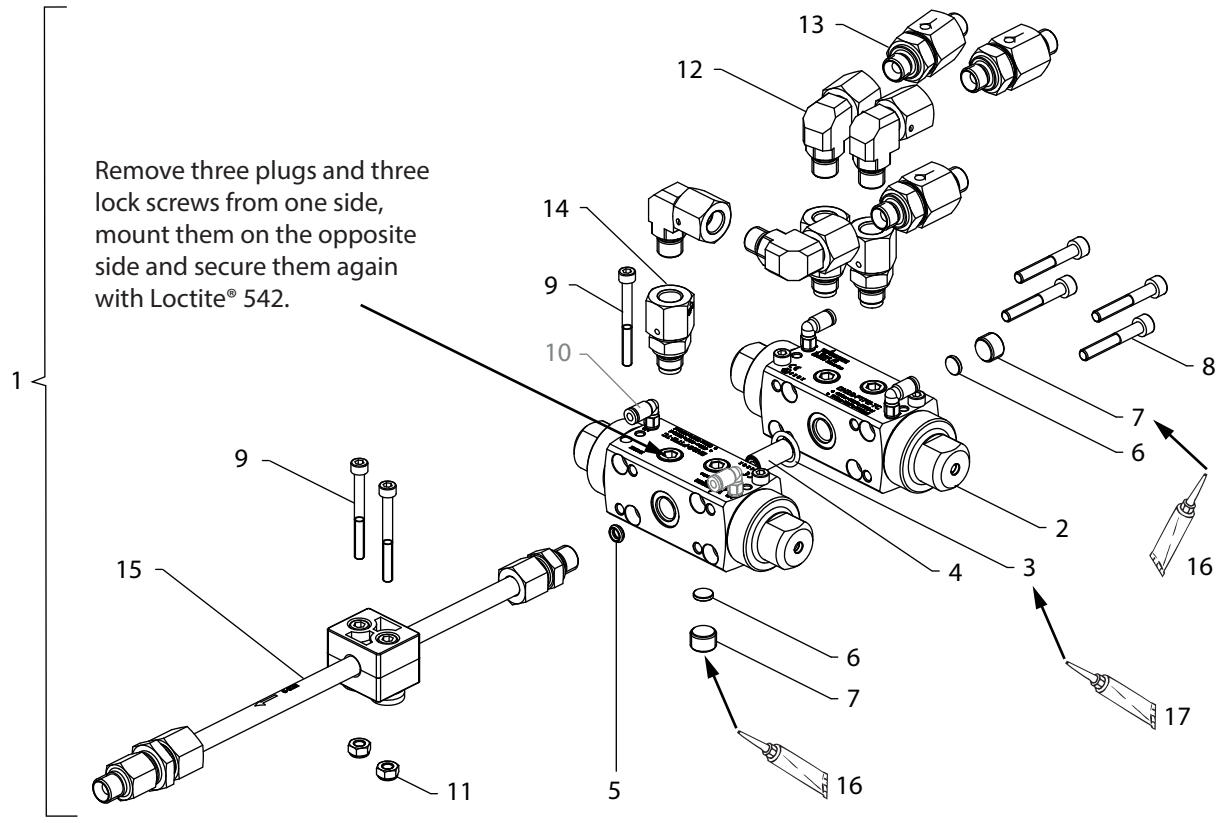
Components				DN 2.6	DN 4
Pos	K	Stk	Designation	Order No.	Order No.
1		1	External mixer, automatic	2339620	2339621
2	◆	2	Valve, PV400-DN2.6-PTFE-TC* complete Refer to the paint valve operating manual for details	2342807	2306793
	◆	2	Paint valve, SS 4 mm / 5 bar / 100 bar Refer to the paint valve operating manual for details		
3	◆	1	O-ring		9974164
4		1	Filling part		384329
5	◆	1	Sealing ring		9970153
6		2	Plug		384323
7		2	Screw plug		104376
8		4	Hexagon socket head cap screw, M06X40		9900336
9		6	Hexagon socket cylinder head screw		9900335
10		3	Male stud elbow		9992724
11		2	Self-locking hexagon nut		9913046
12		4	Fitting-EF-FM-G1/4-G1/4-530bar-SSt		2331273
13	◆	3	Non-return valve G1/4-G1/4-530 bar		2329021
14		3	Fitting, SF-FM-G1/4-G1/4-530 bar-SSt		2332021
15		1	Mixing tube set 6-32E TC (for details, see Chapter 8.13)		--
16		1	Loctite® 542		9992831
17		1	Molykote® DX grease		9992616

◆ = Wearing parts

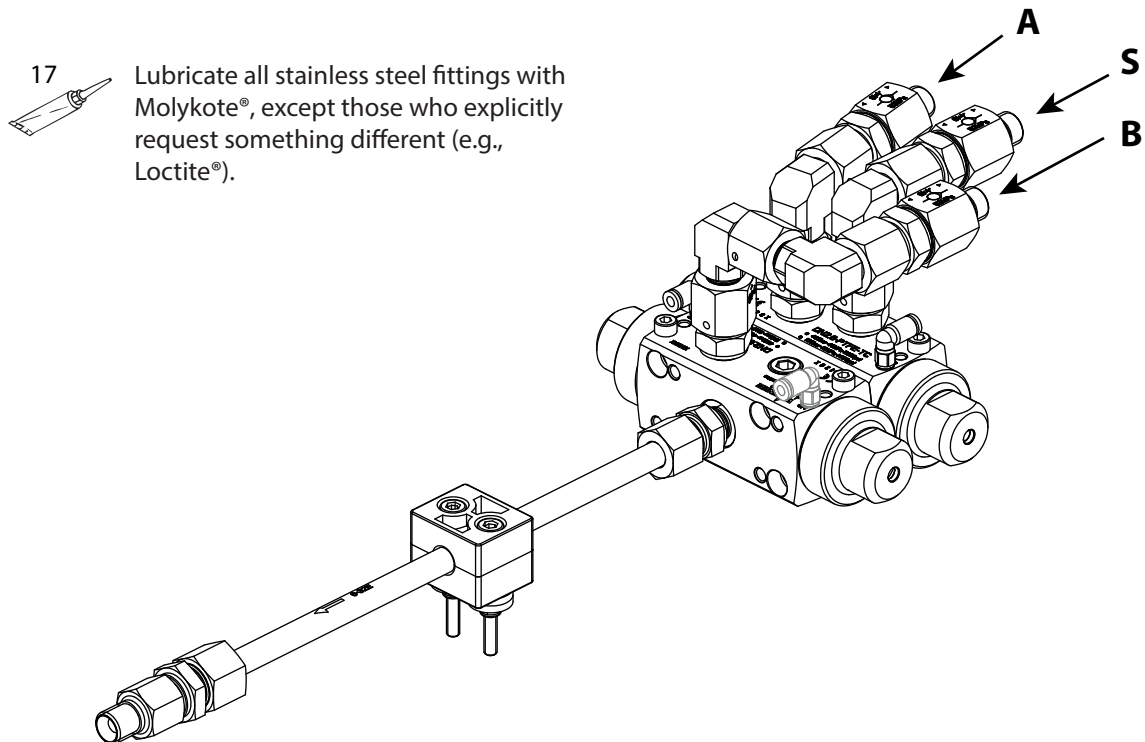
\* TC = Carbide

#### Assembly

→ see assembly manual "external mixer, automatic" (DN2.6 / DN4)", Order No. 2345311.



B\_06295



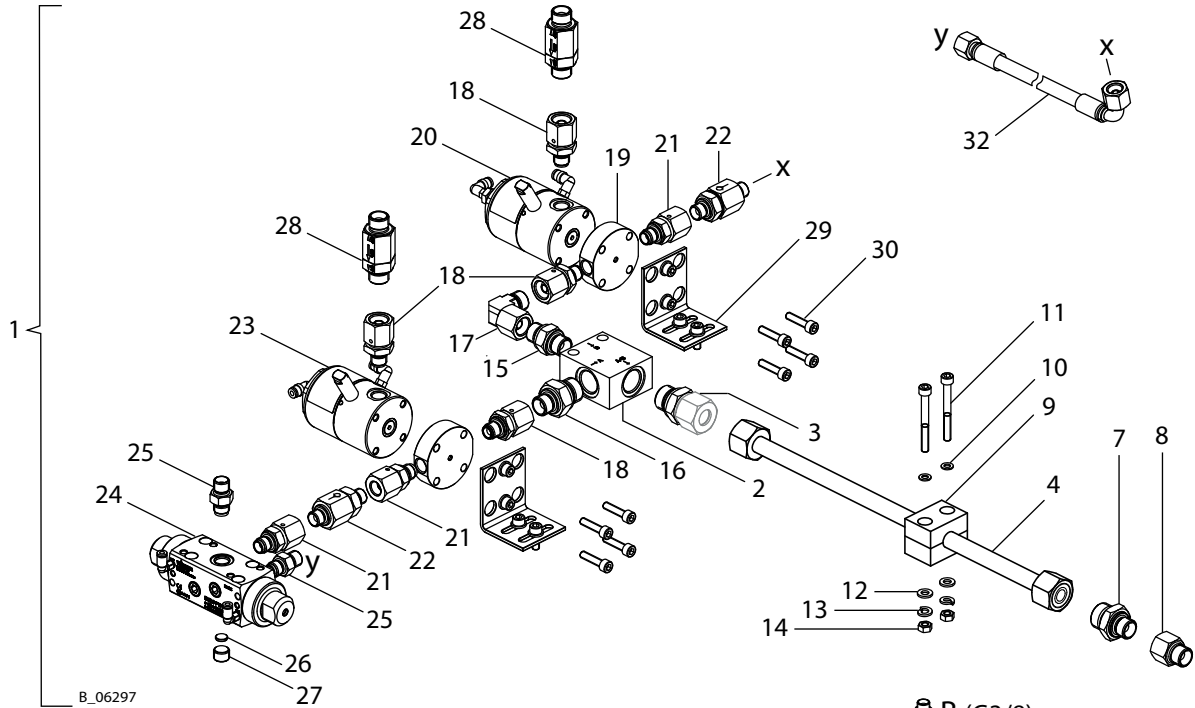
## 8.10 EXTERNAL MIXER, AUTOMATIC DN4 AS OF 48-110

### Spare parts list

Pos	K	Stk	Order No.	Designation
1		1	2339617	External mixer, automatic DN4
2	◆	1	377543	Mixing block
3		1	9999085	Straight threaded fitting 1/2" 16S
4	◆	1	104818	Mixer 10-24VA
7		1	2332966	Fitting DF-MM-M22x1.5-G3/8-PN530-SSt
8		1	2332620	Fitting-RF-FM-G3/8-NPS3/8-PN530-SSt
9		1	9998683	Pipe clamp pair
10		2	9920101	Washer, B5.3
11		2	9906036	Hexagon socket cylinder head screw
12		2	9920103	Washer, A6.4, DIN 125
13		2	9921502	Lock washer, A6.0
14		2	9910102	Hexagon nut
15		1	2330775	Fitting-DF-MM-G3/8-G3/8-PN530-SSt
16		1	2330780	Fitting-DF-MM-G1/2-G3/8-PN530-SSt
17		1	2331309	Fitting-90°-FM-G3/8-G3/8-PN530-SSt
18		4	2331971	Fitting-SF-FM-G3/8"-G1/4"-PN530-SSt
19		2	392307	Base plate valve 400-4
20	◆	1	2357464	Dosing valve, DV530-4 TC* complete Refer to the dosing valve operating manual for details
21		3	2332021	Fitting, SF-FM-G1/4-G1/4-530 bar-SSt
22	◆	2	2329021	Non-return valve G1/4-G1/4-530 bar
23	◆	1	2357409	Paint valve, PV530-4 TC* complete Refer to the paint valve operating manual for details
24	◆	1	2342807	Valve, PV400-DN2.6-PTFE-TC* complete (for details see paint valve operating manual)
25		2	2331174	Fitting, DF-MM-G1/4-G1/4-530 bar-SSt
26		1	384323	Plug
27		1	104376	Screw plug
28	◆	2	2328094	Non-return valve 530 bar
29		2	392090	Mounting valve 400-4, complete
30		8	9900315	Hexagon socket cylinder head screw
32	◆	1	2333791	HP hose DN6-PN325 FEP W-G 0.67m
33		1	9992616	Molykote® DX grease

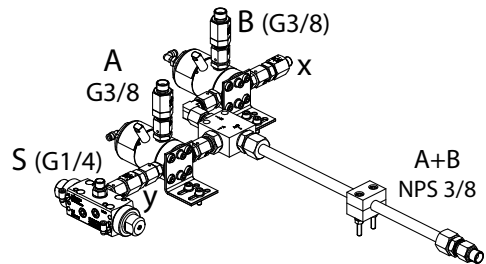
◆ = Wearing parts

\* TC = Carbide



B\_06297

33 Lubricate all stainless steel fittings with Molykote®, except those who explicitly request something different (e.g., Loctite®).

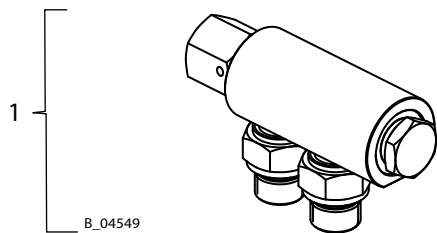


**8.10.1 CIRCULATION TO EXTERNAL MIXER, AUTOMATIC DN4**

**Spare parts list**

Pos	K	Stk	Order No.	Designation
1		1	2339628	Circulation G3/8" for external mixer, automatic DN 4

◆ = Wearing parts



B\_04549

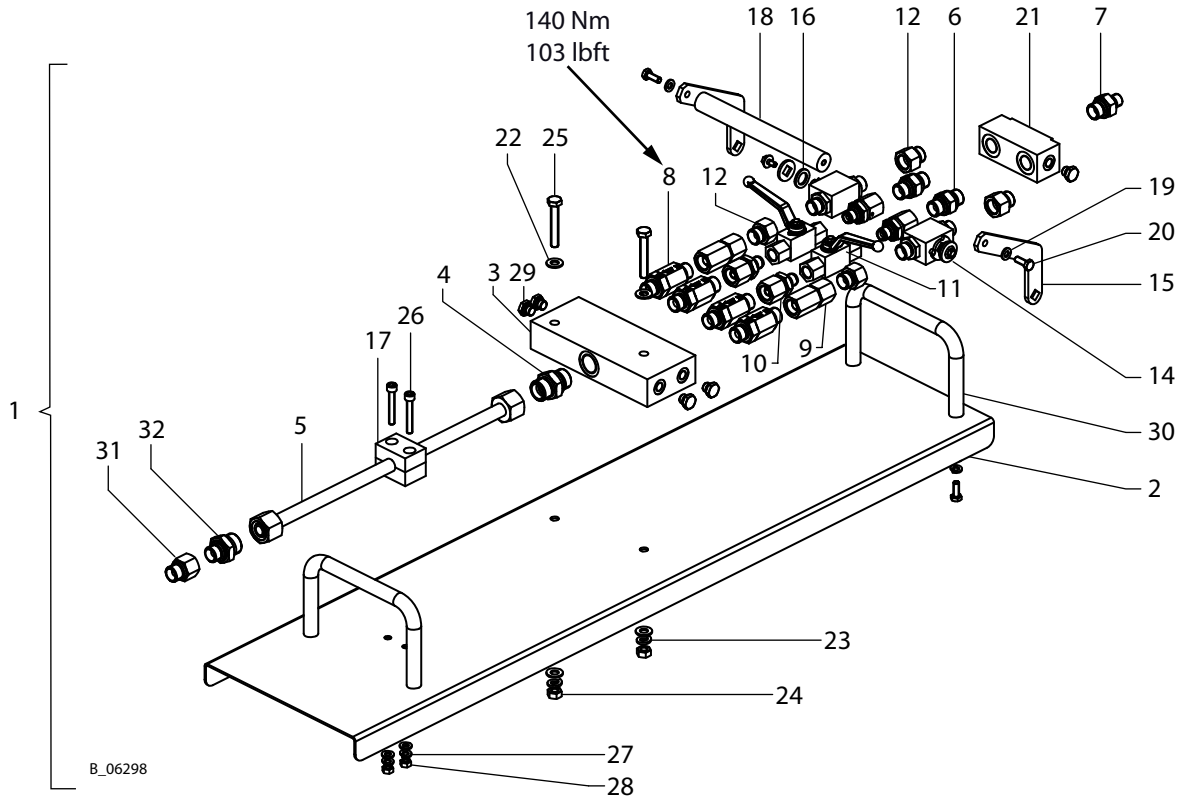
## 8.11 EXTERNAL MIXER, MANUAL DN8


Spare parts list

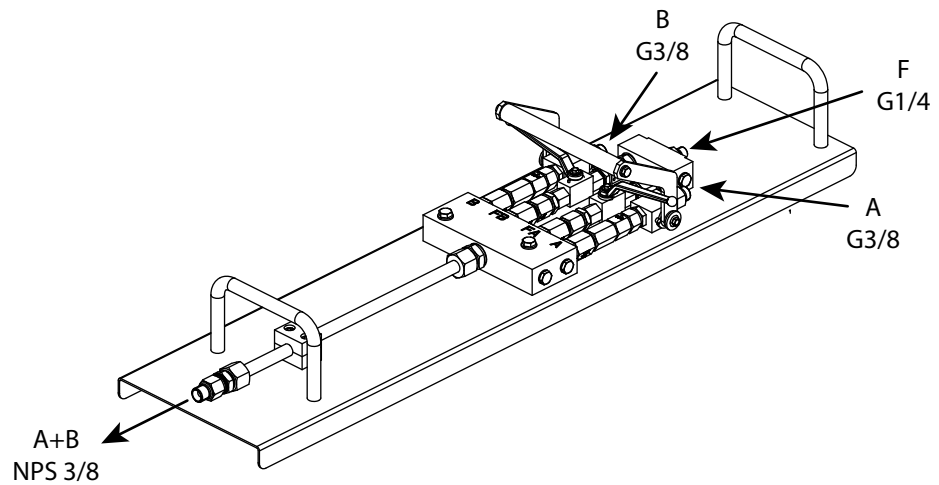
Pos	K	Stk	Order No.	Designation
1		1	2338300	External mixer, manual DN 8
2		1	2304228	Holder sheet metal
3	◆	1	2333272	Mixing body
4		1	9999085	Straight threaded fitting 1/2" 16S
5	◆	1	104818	Mixer 10-24VA
6		2	2330775	Fitting-DF-MM-G3/8-G3/8-PN530-SSt
7		1	2325826	Fitting-DF-MM-G3/8-G1/4-PN530-SSt
8	◆	4	2328094	Non-return valve 530 bar
9		2	2333276	Fitting-SF-FF-G3/8-G3/8-PN530-SSt
10		4	2331971	Fitting-SF-FM-G3/8"-G1/4"-PN530-SSt
11	◆	2	9991544	Ball valve G1/4"
12		4	377342	Fitting-RF-FM-M16x1.5-G3/8"-PN530-SSt
14	◆	2	9991529	Ball valve, mounted-DN8-PN530-M16F24°-SSt
15		2	2304210	Knurled handle
16		2	9920204	Washer
17		1	9998683	Pipe clamp pair
18		1	2304205	Knurled rod
19		8	9920103	Washer, A6.4, DIN 125
20		6	9900111	Hexagon screw without shaft
21		1	2333284	Solvent distributor
22		4	9920102	Washer, A8.4
23		2	9921501	Lock washer, A8
24		2	9910107	Hexagon nut, M8
25		2	9900125	Hexagon screw without shaft
26		2	9907050	Hexagon socket cylinder head screw
27		6	9921502	Lock washer, A6.0
28		2	9910102	Hexagon nut
29		5	2304311	Plug 1/8"
30		2	2305113	Handle
31		1	2332620	Fitting-RF-FM-G3/8-NPS3/8-PN530-SSt, complete
32		1	2332966	Fitting DF-MM-M22x1.5-G3/8-PN530-SSt
33		1	9992616	Molykote® DX grease

◆ = Wearing parts





33  Lubricate all stainless steel fittings with Molykote®, except those who explicitly request something different (e.g., Loctite®).

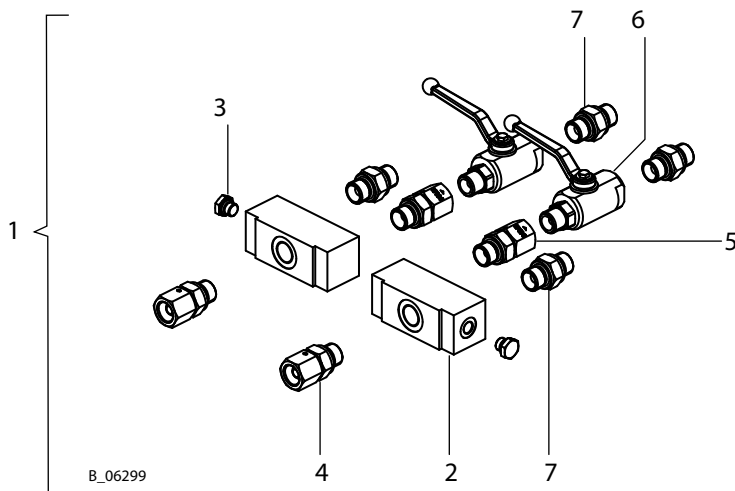



**8.11.1 CIRCULATION TO EXTERNAL MIXER, MANUAL DN8**

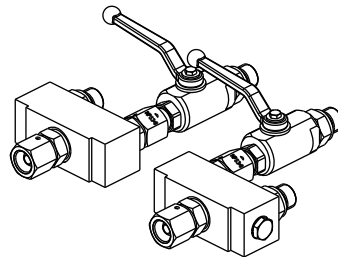
Spare parts list

Pos	K	Stk	Order No.	Designation
1		1	2338301	Circulation to external mixer, manual DN8
2		2	2333284	Solvent distributor
3		2	2304311	Plug 1/8"
4		2	2331371	Fitting-SF-FM-G3/8-G3/8-PN530-SSt
5		2	2334773	Fitting-SF-FM-NPS3/8-G3/8-PN530-SSt
6	◆	2	9999159	Ball valve DN6-PN530-G3/8" SSt
7		4	2330775	Fitting-DF-MM-G3/8-G3/8-PN530-SSt
10		1	9992616	Molykote® DX grease

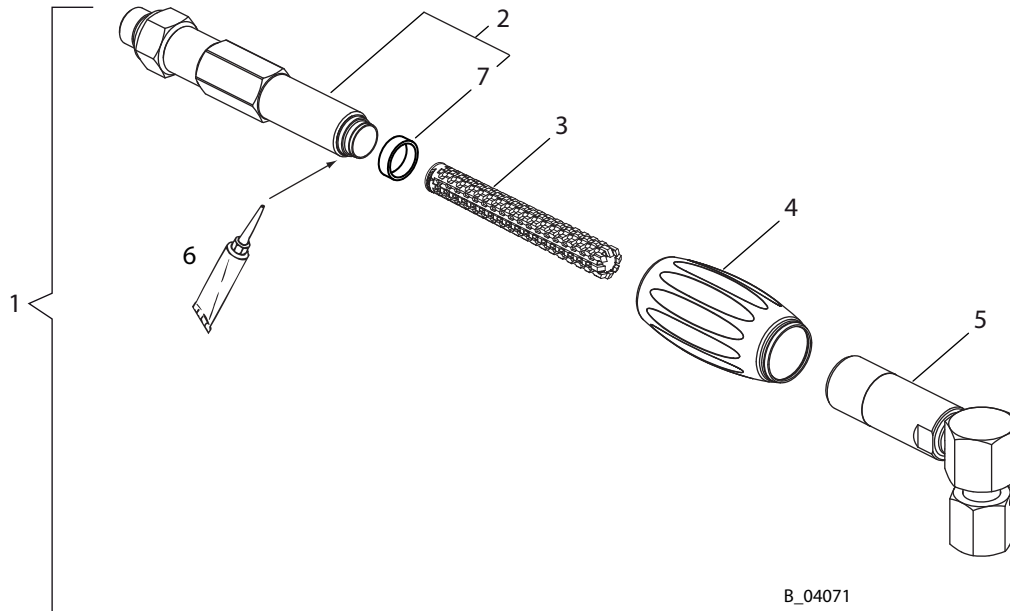
◆ = Wearing parts



10  Lubricate all stainless steel fittings with Molykote®, except those who explicitly request something different (e.g., Loctite®).



**8.12 INLINE FILTER (UP TO 53 MPA; 530 BAR; 7687 PSI)**



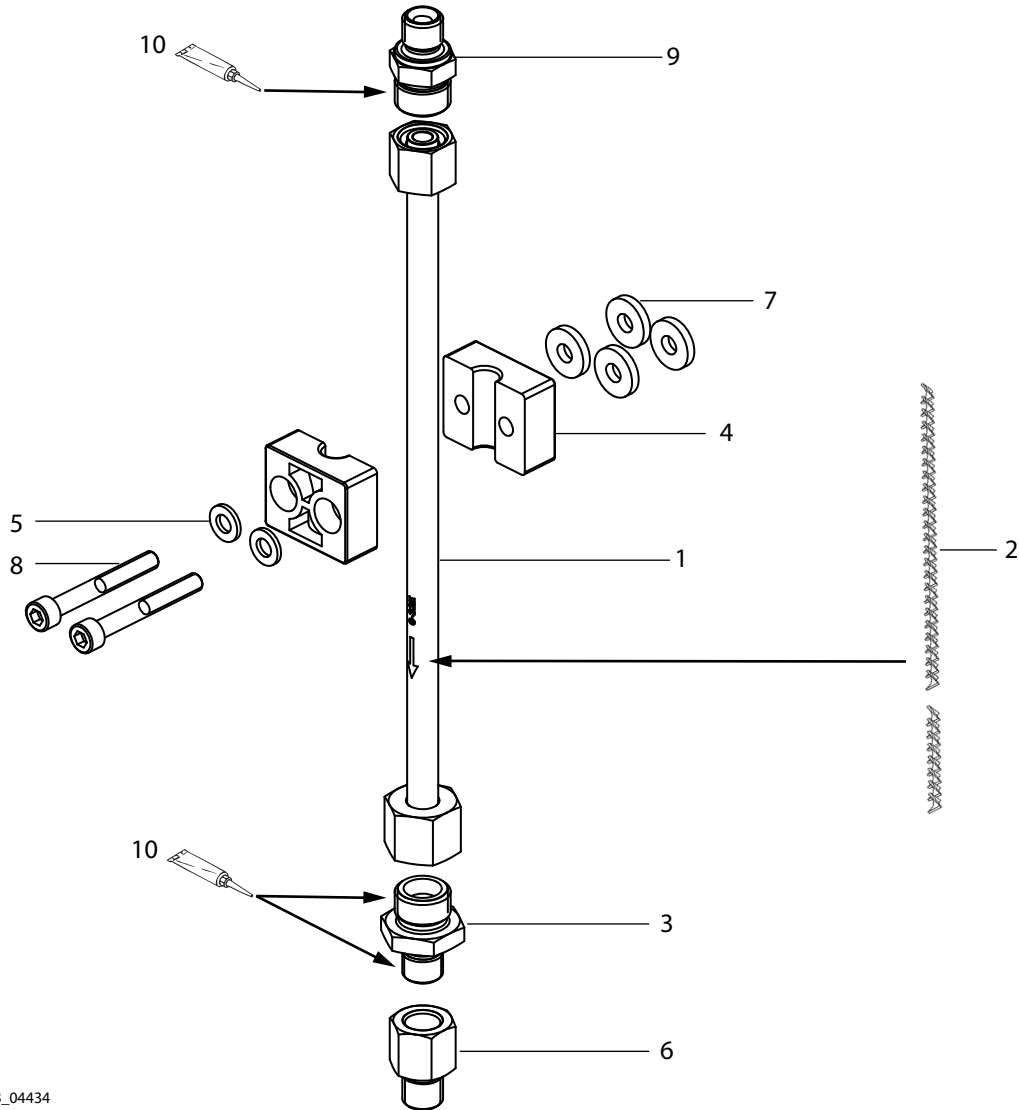
B\_04071

Pos	K	Stk	Order No.	Designation
1		1	2329026	Inline filter, HL DN6-PN530-G1/4"-SSt
2		1	2326045	Filter inlet housing, pre-assembled
3	◆	1	--	Filter insert, yellow (middle), 100 mesh per inch *
	◆ ●	1	2315723	* Filter insert, red (fine), 200 mesh per inch – 10 pieces
	◆ ●	1	2315724	* Filter insert, blue (middle), 150 mesh per inch – 10 pieces
	◆ ●	1	2315725	* Filter insert, yellow (middle), 100 mesh per inch – 10 pieces
	◆ ●	1	2315726	* Filter insert, white (coarse), 50 mesh per inch – 10 pieces
	◆ ●	1	2365429	* Filter insert green (coarse), 30 mesh per inch – 10 pieces
4		1	2311491	Turning handle
5		1	2325950	Filter outlet housing 90°, pre-assembled
6		1	9992609	Anti-seize paste tube
7	◆	1	128389	Seal

◆ = Wearing parts

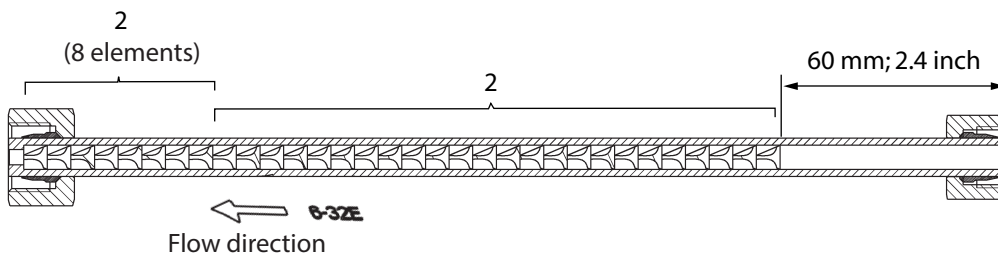
● = Not part of the standard equipment but available as a special accessory.

**8.13 MIXING TUBE SET 6-32E TC**



B\_04434

**Mixing tube (1) with mixing elements (2)**



**Remove the mixing elements:**

Discharge the mixing elements against the flow direction with an iron bar ( $\varnothing$  3 mm; 0.11 inch).

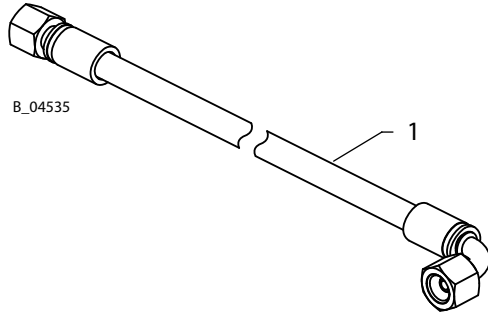
Spare parts list for mixing tube set, 6-32E TC

Pos	K	Stk	Order No.	Designation
1	◆	1	384083	Mixing tube 6-32E (including pos. 2)
2	◆	1.33	9999136	Mixing element, 24 elements
3		1	2332821	Fitting, DF-MM-M18x1.5-G1/4-530 bar-SSt
4		1	9998420	Pipe clamp pair
5		2	9920103	Washer, A6.4, DIN 125
6		1	2332619	Fitting RF-FM-G1/4-1/4NPSM-530 bar-SSt
7		4	9920806	Washer
8		2	9900338	Hexagon socket cylinder head screw
9		1	9998788	Straight threaded fitting GEV-10L-R
10		1	9992616	Molykote® DX grease

◆ = Wearing parts

## 9 PRODUCT HOSES AND FITTINGS

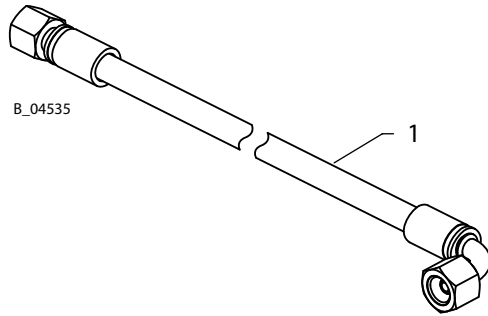
### 9.1 PRODUCT HOSES MADE OF PA (FOR A COMPONENTS AND FLUSHING AGENT)



Components				Inner hose		Nominal pressure	Nominal length	Hose length	Pressure fitting G 1/4"		
Pos	K	Stk	Order No.	Designation	∅	MPa bar psi	mm inch	mm inch	Input	Output	
1	◆	1	2333833	HP hose DN6	DN6	PA	32.5 325 4714	520 20.5	475 18.7	Angle bracket	Straight
1	◆	1	2333840	HP hose DN6	DN6	PA	32.5 325 4714	670 26.4	625 24.6	Angle bracket	Straight
1	◆	1	2335685	HP hose DN6	DN6	PA	32.5 325 4714	870 34.3	825 32.5	Angle bracket	Straight
1	◆	1	2333804	HP hose DN6	DN6	PA	32.5 325 4714	1520 59.8	1475 58.1	Angle bracket	Straight
1	◆	1	2334035	HPP hose DN6	DN6	PA	53.0 530 7687	670 26.4	625 24.6	Angle bracket	Straight
1	◆	1	2334036	HPP hose DN6	DN6	PA	53.0 530 7687	870 34.3	825 32.5	Angle bracket	Straight
1	◆		2334039	HPP hose DN6	DN6	PA	53.0 530 7687	1520 59.8	1475 58.1	Angle bracket	Straight
1	◆	1	2334023	HPP hose DN10	DN10	PA	53.0 530 7687	535 21.1	473 18.6	Angle bracket	Straight
1	◆	1	2334063	HPP hose DN10	DN10	PA	53.0 530 7687	735 28.9	673 26.5	Angle bracket	Straight

◆ = Wearing parts

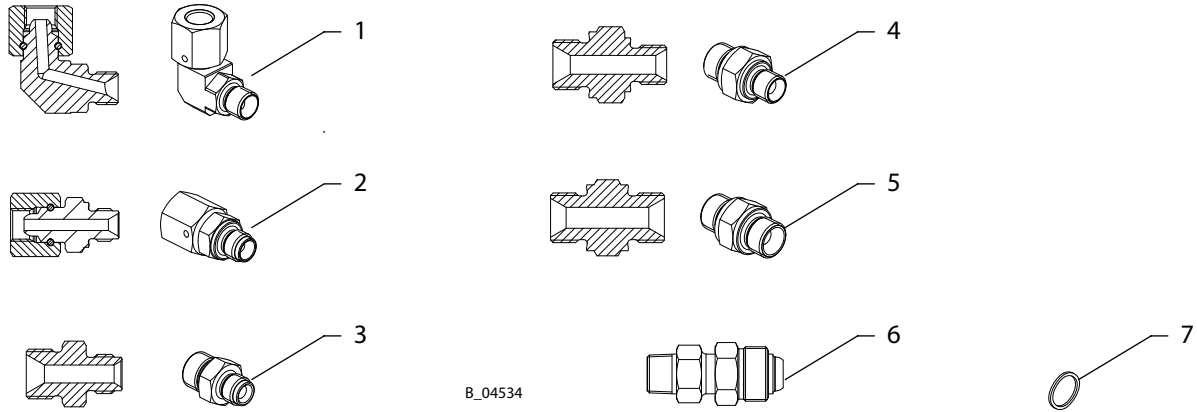
## 9.2 PRODUCT HOSES MADE OF FEP (FOR B COMPONENTS)



Spare parts list				Inner hose		Nominal pressure	Nominal length	Hose length	Pressure fitting G 1/4"		
Pos	K	Stk	Order No.	Designation	∅		MPa bar psi	mm inch	mm inch	Input	Output
1	◆	1	2333779	HP hose DN6	DN6	FEP	32.5 325 4714	520 20.5	475 18.7	Angle bracket	Straight
1	◆	1	2333791	HP hose DN6	DN6	FEP	32.5 325 4714	670 26.4	625 24.6	Angle bracket	Straight
1	◆	1	2334065	HP hose DN6	DN6	FEP	32.5 325 4714	870 34.3	825 32.5	Angle bracket	Straight
1	◆	1	2334457	HPP hose DN10	DN10	FEP	53.0 530 7687	535 21.1	473 18.6	Angle bracket	Straight
1	◆	1	2332865	HPP hose DN10	DN10	FEP	53.0 530 7687	735 28.9	673 26.5	Angle bracket	Straight
1	◆	1	2334057	HPP hose DN10	DN10	FEP	53.0 530 7687	1035 40.75	973 38.3	Angle bracket	Straight

◆ = Wearing parts

**9.3 FITTINGS**



B\_04534

**Fittings**

Pos	K	Stk	Order No.	Thread 1 / Seal	Thread 2 / Seal	Nominal pressure	Application
1		1	2331273	G1/4" inside 60° cone	G1/4" outside 60° cone	53 MPa; 530 bar; 7687 psi	90° elbows
2		1	2332021	G1/4" inside 60° cone	G1/4" outside 60° cone Sealing edge, front	53 MPa; 530 bar; 7687 psi	Connection to paint valve / dosing valve
3		1	2331173	G3/8" outside 60° cone	G1/4" outside 60° cone Sealing edge, front	53 MPa; 530 bar; 7687 psi	Connection to paint valve / dosing valve or heater
4		1	2325826	G3/8" outside 60° cone Sealing edge	G1/4" outside 60° cone Sealing edge	53 MPa; 530 bar; 7687 psi	Mixer; pump output (if heater is present)
5		1	2330775	G3/8" outside 60° cone Sealing edge	G3/8" outside 60° cone Sealing edge	53 MPa; 530 bar; 7687 psi	Mixer; pump output (if heater is present)
6		1	2333265	R3/8" outside Conical thread	M24x1.5 outside 60° cone Sealing surface	53 MPa; 530 bar; 7687 psi	Pump output EvoMotion 5-60

Flat seal				Product	Thickness	Ø Inside	Ø Outside
Pos	K	Stk	Order No.	Designation		mm; inch	mm; inch
7	◆	1	9925024	Sealing ring	Copper	2.5; 0.10	18; 0.71

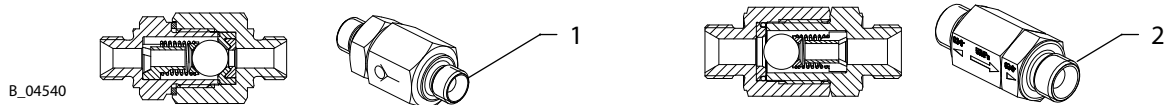
◆ = Wearing parts



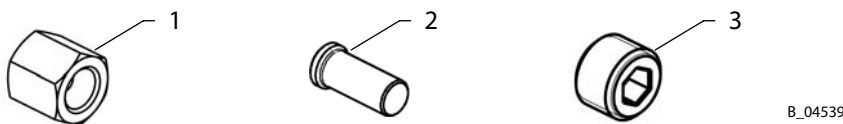
**9.4 NON-RETURN VALVES**

Pos	K	Stk	Order No.	Thread 1	Seal 1	Thread 2	Seal 2	Nominal pressure
1	◆	1	2329021	G1/4" Outside	60° cone Sealing edge	G1/4" Outside	60° cone Sealing edge	53 MPa; 530 bar; 7687 psi
2	◆	1	2328094	G3/8" Outside	60° cone Sealing edge	G3/8" Outside	60° cone Sealing edge	53 MPa; 530 bar; 7687 psi

◆ = Wearing parts



**9.5 LOCKING PARTS (IF NO FLUSHING PUMP IS PRESENT)**

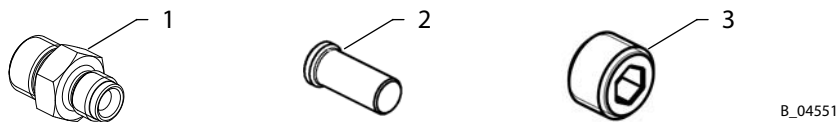


Pos	K	Stk	Order No.	Designation
1		1	2333659	Lock nut, complete G1/4"
2		1	392317	Filling part
3		1	104376	Screw plug G1/4"

◆ = Wearing parts

**9.6 FITTINGS FOR PAINT VALVES (WITH EXTERNAL MIXER)**

For pumps 48-110, 8-300, 18-300, 3-600, 8-600  
For A and B componentes



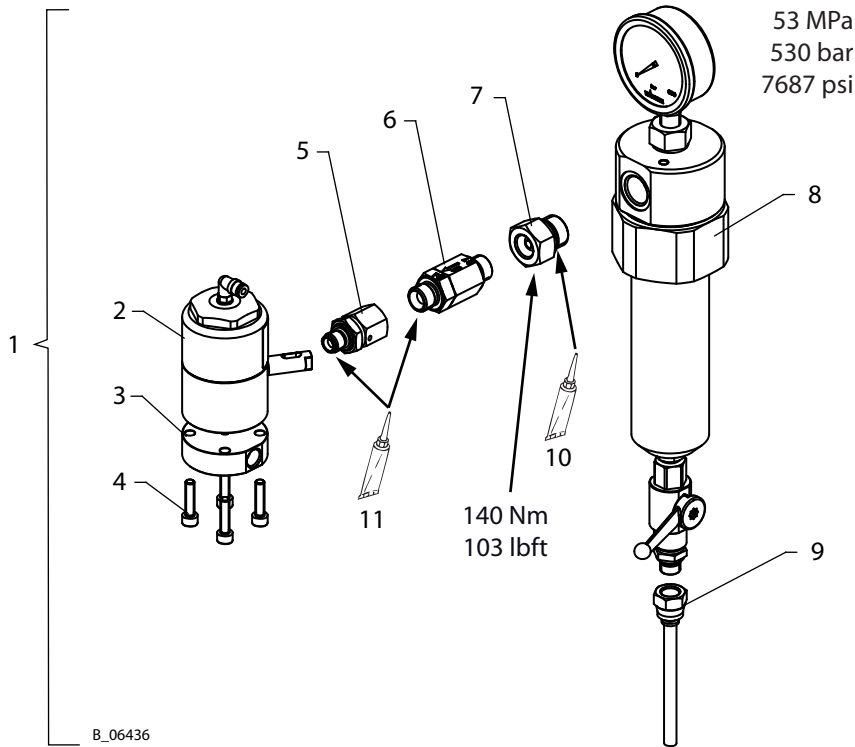
Pos	K	Stk	Order No.	Designation
1		1	2331173	Fitting-DF-MM-G3/8-G1/4-530bar-SSt (see Chapter 9.3 item 3)
2		1	392317	Filling part
3		1	104376	Screw plug G1/4"

◆ = Wearing parts

Pumps 5-60, 10-70, 15-70, 15-150, 21-110, 28-40, 35-70, 35-150: see Chapter 8.7

## 10 VALVES ON THE PUMP OUTPUT

### 10.1 PAINT VALVE 530 BAR



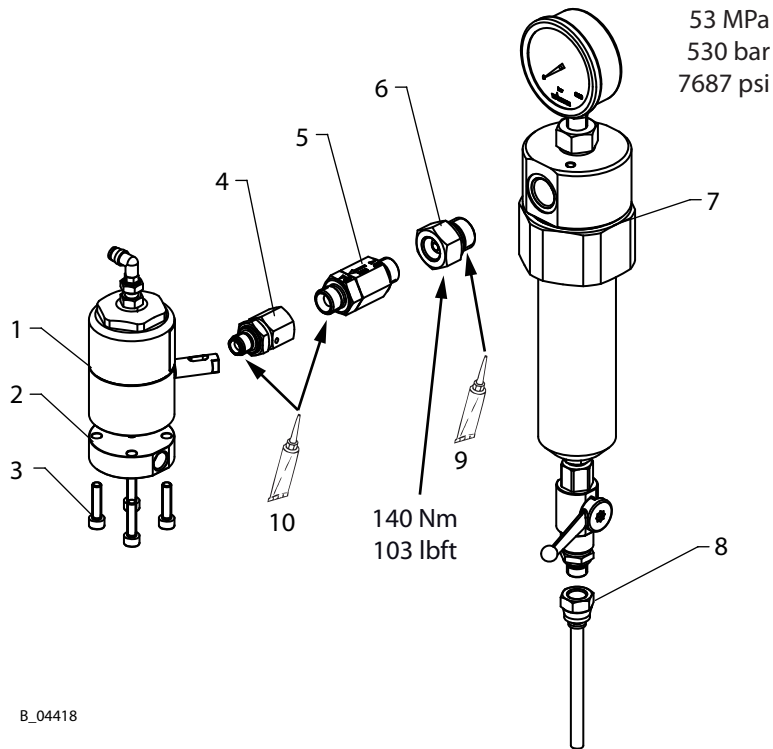
Spare parts list

Pos	K	Stk	Order No.	Designation
1		1	2344360	Paint valve set complete 530 bar
2	◆	1	2357409	Paint valve, PV530-4 TC* complete Refer to the paint valve operating manual for details
3		1	392307	Base plate valve 400-4
4		4	9900315	Hexagon socket cylinder head screw
5		1	2331971	Fitting-SF-FM-G3/8"-G1/4"-PN530-SSt
6	◆	1	2328094	Non-return valve 53 MPa; 530 bar; 7687 psi
7		1	2331979	Fitting-RF-FM-G3/8"-G1/2"-PN530-SSt
8		1	2340655	HP filter with ball valve TC (for details, see Chapter 10.3.)
9	◆	1	2331752	Return tube, DN6-G1/4"-100mm-PA
10		1	9992609	Anti-seize paste
11		1	9992616	Molykote® DX grease

◆ = Wearing parts

\* TC = Carbide

**10.2 DOSING VALVE 530 BAR**



B\_04418

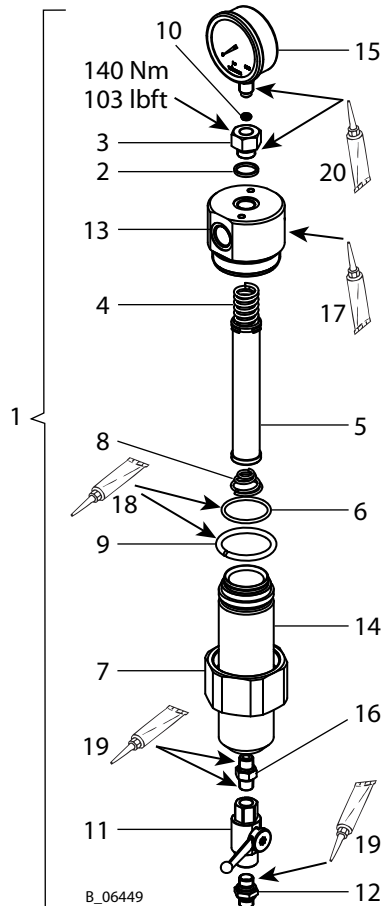
Spare parts list

Pos	K	Stk	Order No.	Designation
1	◆	1	2357464	Dosing valve, DV530-4 TC* complete Refer to the dosing valve operating manual for details
2		1	392307	Base plate valve 400-4
3		4	9900315	Hexagon socket cylinder head screw
4		1	2331971	Fitting-SF-FM-G3/8"-G1/4"-PN530-SSt
5	◆	1	2328094	Non-return valve 530 bar
6		1	2331979	Fitting-RF-FM-G3/8"-G1/2"-PN530-SSt
7		1	2340655	HP filter with ball valve TC (for details, see Chapter 10.3.)
8	◆	1	2331752	Return tube, DN6-G1/4"-100mm-PA
9		1	9992609	Anti-seize paste
10		1	9992616	Molykote® DX grease

◆ = Wearing parts

\* TC = Carbide

**10.3 HP FILTER WITH BALL VALVE TC**



**Assembly Pressure gauge Manometer (15)**

1. Insert pressure gauge seal (10) in the Coupling sleeve (3).
2. Screw in pressure gauge (15) by hand until stop is reached, then turn 1/4 rotation with wrench. Thereafter continue turning the pressure gauge only to align. Do not turn back.

Spare parts list

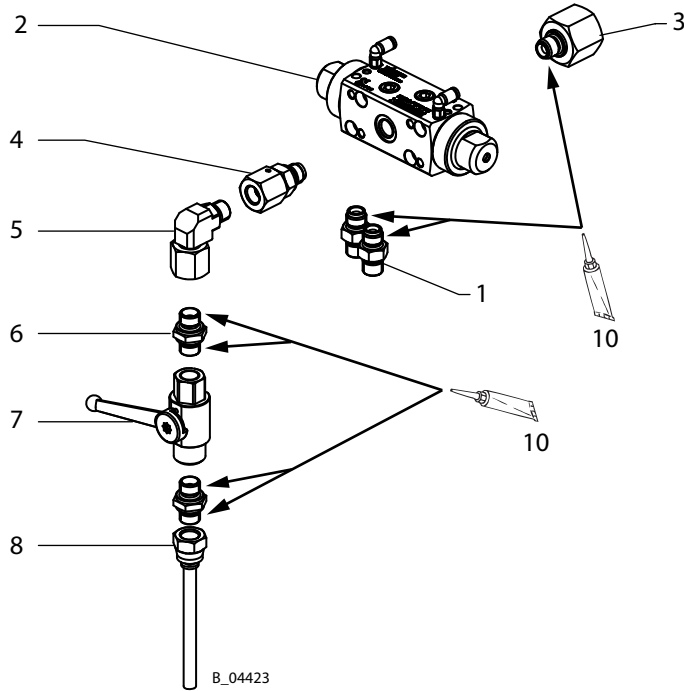
Pos	K	Stk	Order No.	Designation
1		1	2340655	HP filter with ball valve TC
2	◆	1	9925024	Sealing ring
3		1	2302411	Coupling sleeve
4		1	9894245	Filter support
5	◆	1		Filter cartridges *
	◆ ●		295721	* Filter cartridge 200 mesh / mesh size 0.08 mm; 0.0031 inch
	◆		3514068	* Filter cartridge 100 mesh / mesh size 0.16 mm; 0.0063 inch
	◆ ●		3514069	* Filter cartridge 50 mesh / mesh size 0.32 mm; 0.013 inch
	◆ ●		291564	* Filter cartridge 20 mesh / mesh size 0.8 mm; 0.031 inch
6	◆	1	9955863	O-ring
7		1	2324543	Union nut
8		1	3514058	Cone spring
9		1	2325562	Pressure ring d45
10	◆	1	9970153	Sealing ring
11	◆	1	2330156	Ball valve DN6-PN530-G1/4"-SSt
12		1	3204611	Fitting-DF-MM-G1/4"-G1/4"-PN530-SSt
13		1	2324670	Distribution housing for ball valve
14		1	2324542	Filter housing
15	◆	1	9999059	Pressure gauge, 0-600 bar
16		1	2325839	Fitting-DF-MM-R1/4"-R1/4"-PN530-SSt
17		1	9992609	Anti-seize paste
18		1	9998808	Mobilux® EP 2 grease
19		1	9992831	Loctite® 542
20		1	9992616	Molykote® DX grease

◆ = Wearing parts

● = Not part of the standard equipment but available as a special accessory.

**10.4 FLUSHING VALVE WITH RELIEF COMBINATION**

With internal mixer.



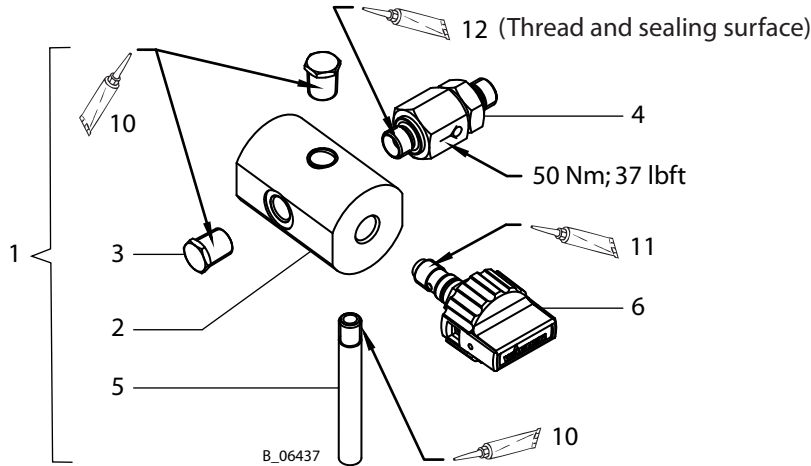
Spare parts list Flushing valve and Relief combination for Flushing pump

Pos	K	Stk	Order No.	Designation
1		2	2331174	Fitting, DF-MM-G1/4-G1/4-530 bar-SSt
2	◆	1	2342807	Valve, PV400-DN2.6-PTFE-TC* complete Refer to the paint valve operating manual for details
3		1	2331990	Fitting-RF-FM-M24x1.5-G1/4-PN530-SSt
4		1	2332021	Fitting, SF-FM-G1/4-G1/4-530 bar-SSt
5		1	2331273	Fitting-EF-FM-G1/4-G1/4-530bar-SSt
6		2	3204611	Fitting-DF-MM-G1/4"-G1/4"-PN530-SSt
7	◆	1	M534.00	Ball valve DN6-PN530-G1/4"-SSt
8	◆	1	2331752	Return tube, DN6-G1/4"-100 mm-PA
10		1	9992616	Molykote® DX grease

◆ = Wearing parts

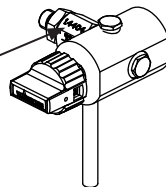
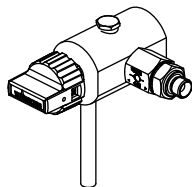
\* TC = Carbide

**10.5 TC AND TC 1.4404 RELIEF COMBINATION**



Relief combination left

Relief combination right

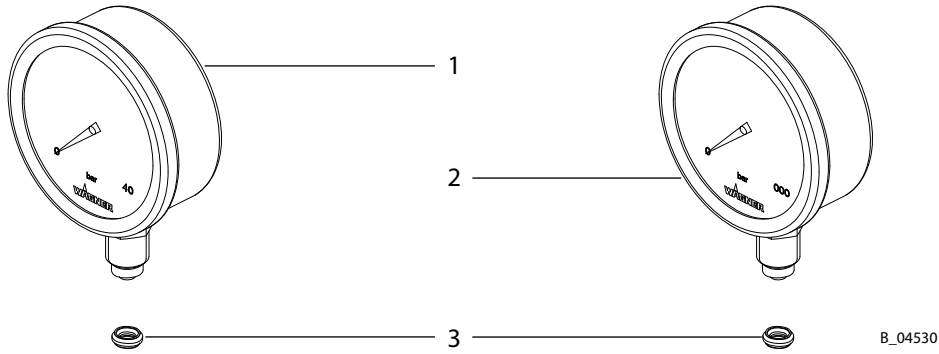


Designation „1.4404“ for Relief Combination, TC 1.4404

Components				TC	TC 1.4404
Pos	K	Stk	Designation	Order No.	Order No.
1		1	Relief combination left	2348846	2370693
2		1	Relief housing	2324549	2370190
3		2	Fitting-PF-M-R1/4-530 bar-SSst	2323718	
4	◆	1	Non-return valve G1/4-G1/4-530 bar	2329021	2370695
5		1	Outlet pipe	2324552	
6	◆	1	Relief valve, complete	169248	2370609
10		1	Loctite® 542	9992831	
11		1	Molykote® DX grease	9992616	
12		1	Anti-seize paste tube OKS 240	9992609	

◆ = Wearing part

**10.5.1 PRESSURE GAUGE FOR RELIEF COMBINATION**



Pressure gauge 4 MPa; 40 bar; 580 psi Use with TwinControl 5-60 and 10-70			TC	TC 1.4404 (B-pump)	
Pos	K	Stk	Designation	Order No.	Order No.
1	◆	1	Pressure gauge, 0-40 bar	2334656	
3	◆	1	Sealing ring	9970153	2370236

◆ = Wearing part

Pressure gauge 25 MPa; 250 bar; 3625 psi			TC	TC 1.4404 (B-pump)	
Pos	K	Stk	Designation	Order No.	Order No.
2	◆	1	Pressure gauge, 0-250 bar	2334652	
3	◆	1	Sealing ring	9970153	2370236

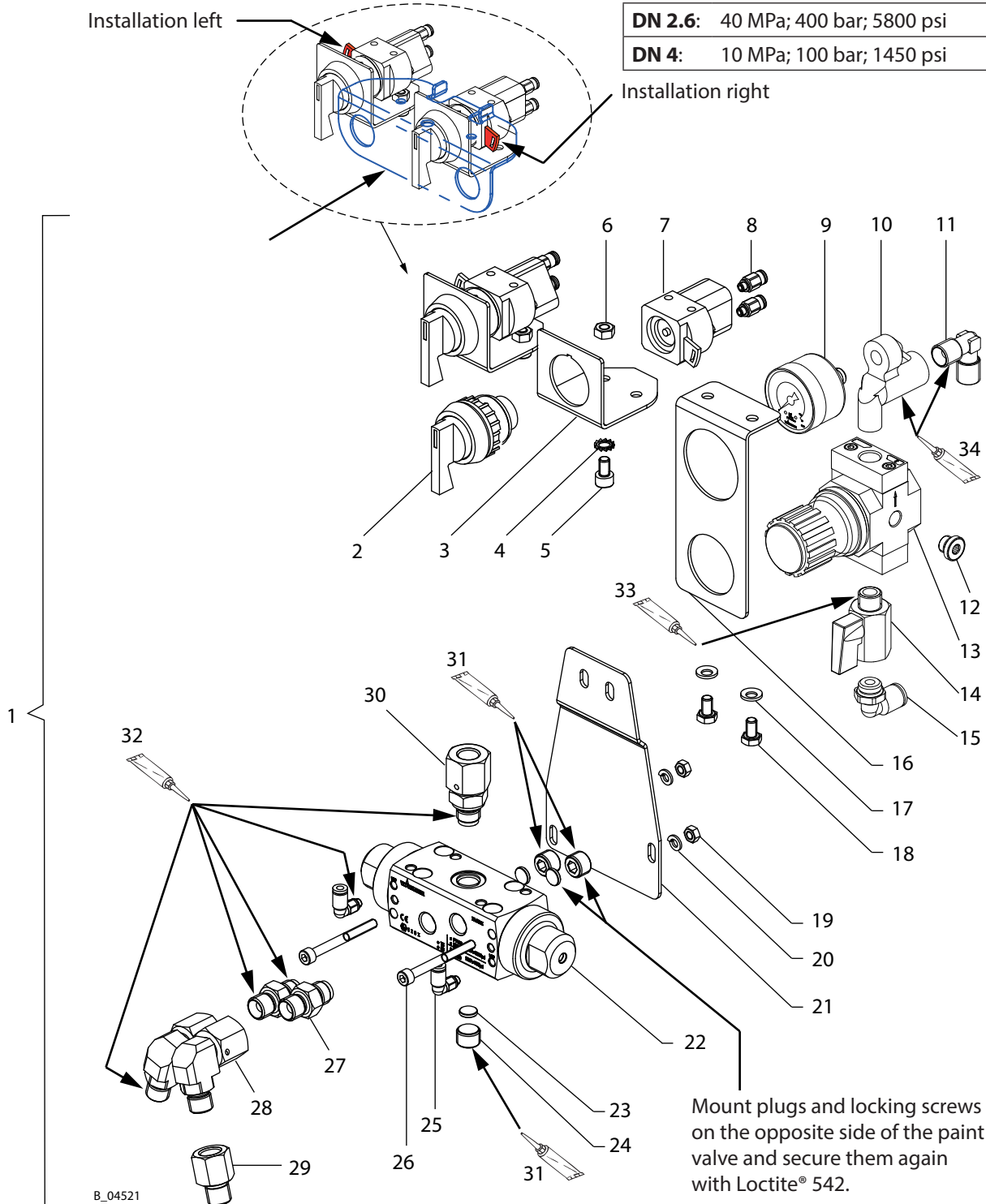
◆ = Wearing part

**Assembly Pressure gauge**

1. Insert pressure gauge seal (3) into the relief combination.
2. Screw in pressure gauge by hand until stop is reached, then turn 1/4 revolution with wrench. Thereafter continue turning the pressure gauge only to align. Do not turn back.

# 11 SPLITTER VALVE

## 11.1 DN2.6 / DN4 SPLITTER VALVE





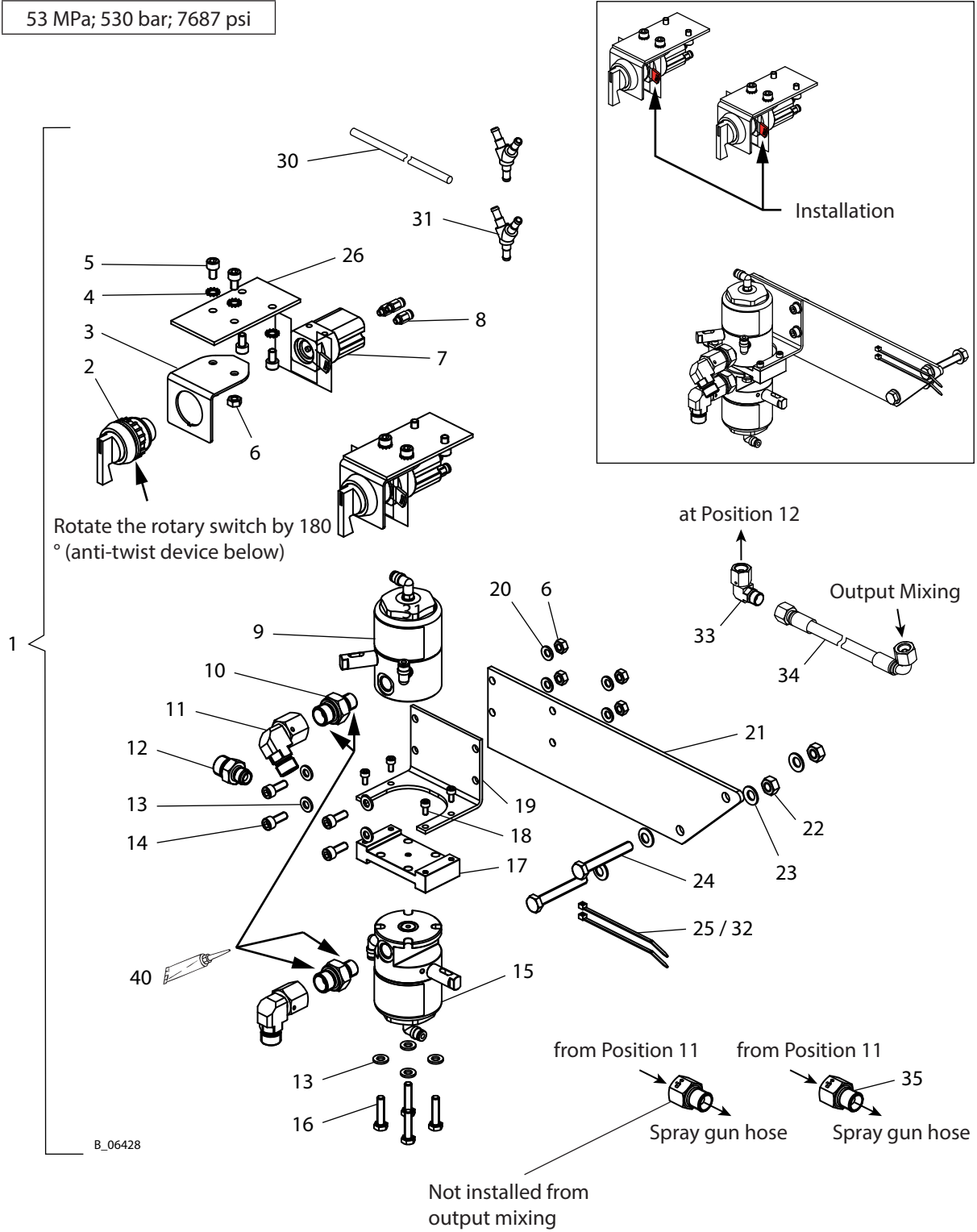
Components				DN2.6	DN4
Pos	K	Stk	Designation	Order No.	Order No.
1		1	Splitter valve assembly	2338302	2338303
Switch (Positions 2-8)					
2	◆	2	Control knob 9302	9943072	
3		2	Supporting bracket	2306057	
4		2	Serrated lock washer, externally toothed	9922017	
5		2	Hexagon socket head cap screws	9906013	
6		2	Hexagon nut	9910102	
7	◆	2	Basic valve 3/2-way	9943062	
8		4	Plug-in connection, straight	9992723	
Pressure regulator (Positions 9-15)					
9	◆	1	Pressure gauge, 0-10 bar RF40 (d40)	9998677	
10		1	Pressure gauge socket	123459	
11		1	Elbow with taper	9992129	
12		1	Threaded plug, G1/8"	9998675	
13	◆	1	Pressure regulator valve LR-1/4-D-Mini with AP	2329067	
14	◆	1	Ball valve PN 10 bar	9991112	
15		1	Male stud elbow, 8-1/4 Ex	9998253	
16		1	Supporting plate	2329283	
17		2	Contact washer	3155401	
18		2	Hexagon screw without shaft	9900105	
Distributor valve DN 2.6 (Positions 19-30)					
19		2	Hexagon nut, M5	9910106	
20		2	Spring washer	9921517	
21		1	Supporting plate	2333601	
22	◆	1	Valve, PV400-DN2.6-PTFE-TC* complete, including item 25 Refer to the paint valve operating manual for details	2342807	/
	◆	1	Paint valve, SS 4 mm / 5 bar / 100 bar Refer to the paint valve operating manual for details		
23		1	Plug	384323	
24		1	Screw plug	104376	
25		2	Male stud elbow	9992724	
26		2	Hexagon socket cylinder head screw	9900335	
27		2	Fitting, DF-MM-G1/4-G1/4-530 bar-SSt	2331174	
28		2	Fitting-EF-FM-G1/4-G1/4-530bar-SSt	2331273	
29		1	Fitting RF-FM-G1/4-1/4NPSM-530 bar-SSt	2332619	
30		1	Fitting, SF-FM-G1/4-G1/4-530 bar-SSt	2332021	
Mounting materials					
31		1	Loctite® 542	9992831	
32		1	Molykote® DX grease	9992616	
33		1	Loctite® 270	9992528	
34		1	Loctite® 480	9998157	
Air hoses / Assembly					
40		5 m	Hose, black -2.5/4 mm PU	9982072	
41		2	Connection Y pluggable	9992290	
		1	Assembly manual (German / English)	2344165	

◆ = Wearing parts

\* TC = Carbide

**11.2 PV530 SPLITTER VALVE**

53 MPa; 530 bar; 7687 psi



Spare parts list for splitter valve, PV 530

Pos	K	Stk	Order No.	Designation
1		1	2371352	TC Splitter set 2 spray guns, FV530-4
2	◆	2	9943072	Control knob 9302
3		2	2306057	Supporting bracket
4		8	9922017	Serrated lock washer, externally toothed
5		8	9906013	Hexagon socket cylinder head screw
6		8	9910102	Hexagon nut
7	◆	2	9943130	Basic valve 5/2-way
8		6	9992723	Plug-in connection, straight
9	◆	1	2357409	Paint valve, PV530-4 TC* complete Refer to the paint valve operating manual for details
10		2	2325826	Fitting, DF-MM-G3/8-G1/4-530 bar-SSt
11		2	2331309	Fitting-EF-FM-G3/8-G3/8-530bar-SSt
12		1	2331173	Fitting, DF-MM-G3/8-G1/4-530 bar-SSt
13		8	9920103	Washer
14		4	9900325	Hexagon socket cylinder head screw
15	◆	1	2360426	Valve down, 530-4 TC* complete Refer to the paint valve operating manual for details
16		4	9900224	Hexagon screw without shaft
17		1	377485	Ground plate Distributor
18		4	9900334	Hexagon socket cylinder head screw
19		1	377486	Wall holder splitter
20		4	3155401	Contact washer
21		1	2371351	Bracket Splitter valve
22		2	9910107	Hexagon nut
23		4	3155404	Contact washer, M8
24		2	9900130	Hexagon screw without shaft
25		2	9950615	Cable tie
26		2	2371344	Extension
30		15 m	9982072	Hose
31		2	9992290	Connection Y pluggable
32		10	9950615	Cable tie
33		1	2331309	Fitting-EF-FM-G3/8-G3/8-530bar-SSt
34	◆	1	2334057	HPP hose, DN10-PN530 FEP W-G 1.035 m
35		1	2330770	Fitting RF-FM-G3/8-3/8NPSM-530 bar-SSt
40		1	9992616	Molykote® DX grease
		1	2372448	Assembly manual (German / English)

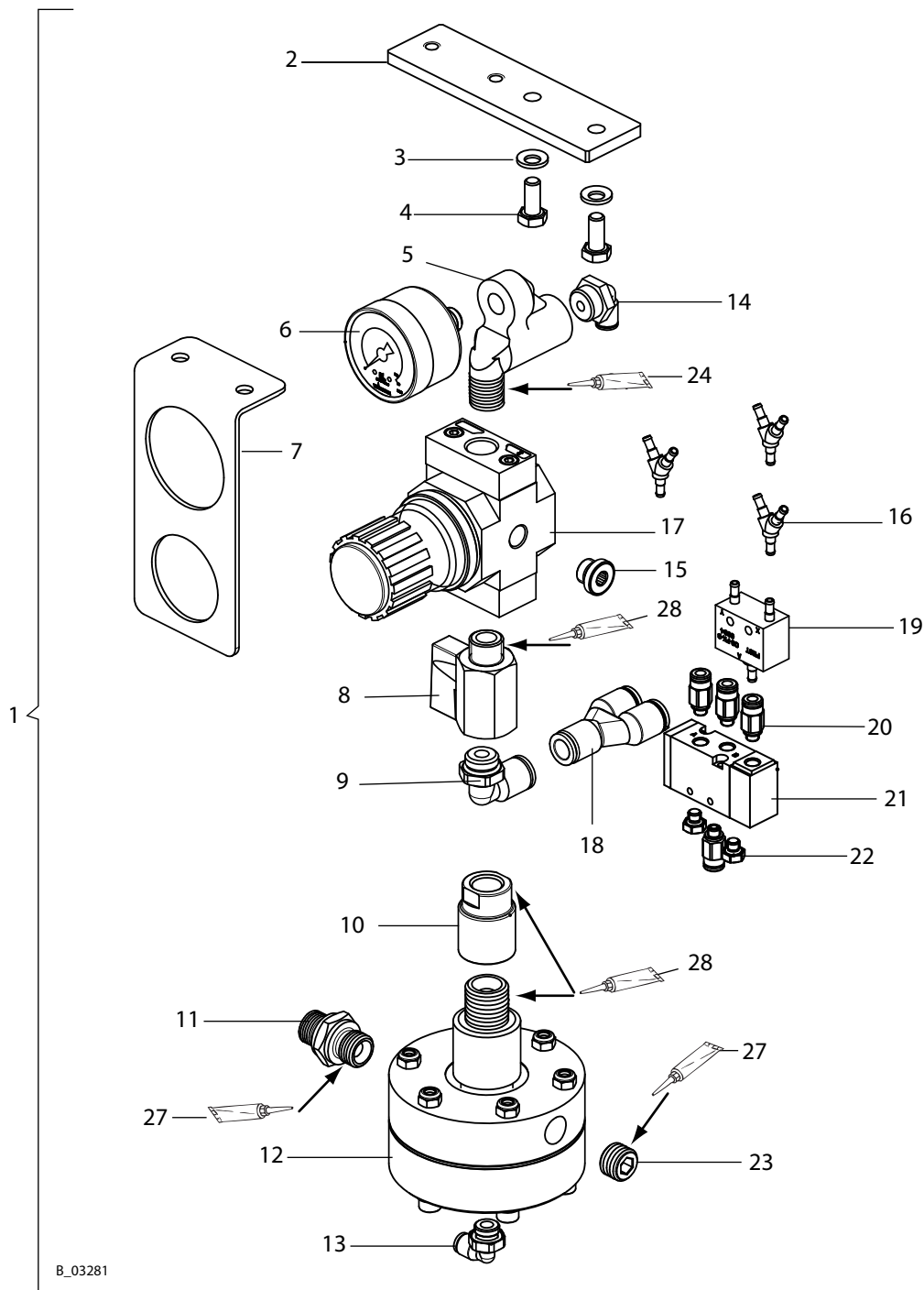
◆ = Wearing parts

\* TC = Carbide

## 12 PRODUCT PRESSURE REGULATOR

### 12.1 PNEUMATIC PRODUCT PRESSURE REGULATOR SET, 8 BAR

Use with pumps 5-60 and 10-70



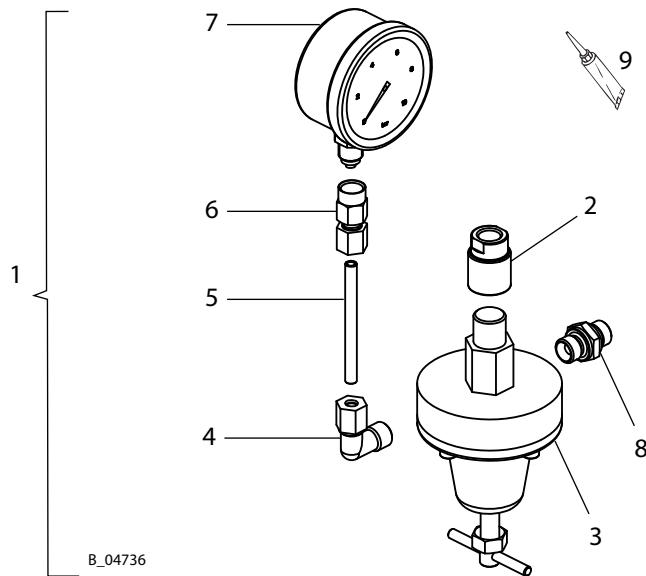
## Spare parts list Pneumatic Product Pressure Regulator Set, 8 bar

Pos	K	Stk	Order No.	Designation
1		1	2315965	Product pressure regulator set, 8 bar, complete
2		2	3108418	Hexagon screw without shaft
3		2	3155401	Contact washer, M06
4		1	2315362	Connection part
5		1	123459	Pressure gauge socket
6	◆	1	9998677	Pressure gauge, 0-10 bar (d40)
7		1	2329283	Supporting plate
8	◆	1	9991112	Ball valve
9		1	9998253	Male stud elbow, 8-1/4 Ex
10		1	3201474	Reducing sleeve
11		1	3204611	Fitting, DF-MM-G1/4-G1/4-530 bar-SSt
12		1	T0170.00BI	MPR 40/05-8 bar pneumatic SSt
13		1	9999066	Male stud elbow
14		1	3661547	Male stud elbow
15		1	9998675	Threaded plug, G1/8"
16		3	9992290	Connection Y pluggable
17		1	2329067	Pressure regulator valve LR-1/4-D-Mini with AP
18		1	3159464	Y-plug connection
19	◆	1	9991785	Or-valve
20		4	9992723	Plug-in connection, straight
21	◆	1	9943146	Pneumatic valve 5/2
22		2	9998674	Threaded plug M5
23		1	104376	Screw plug
24		1	9998157	Loctite® 480
25		1 m	9982078	Hose, black -5.5/8 mm PU
26		3 m	9982072	Hose, black -2.5/4 mm PU
27		1	3051530	PTFE sealing tape
28		1	9992528	Loctite® 270
		1	2316673	Assembly manual (German / English)

◆ = Wearing parts

**12.2 PRODUCT PRESSURE REGULATOR SET, 8 BAR MECHANICAL**

Use with TwinControl 5-60 and 10-70



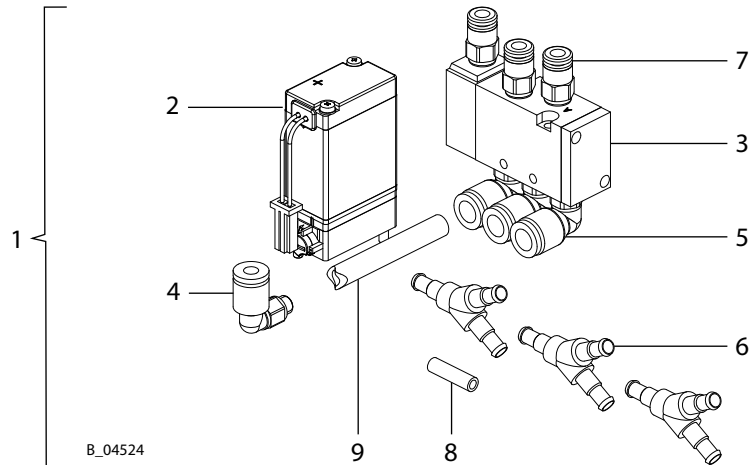
Spare parts list

Pos	K	Stk	Order No.	Designation
1		1	2315994	Product pressure regulator set, 8 bar, mechanical
2		1	3201474	Reducing sleeve
3	◆	1	T0170.00A14	MPR 40/0.5-5 bar man. SSt
4		1	3201921	Male stud elbow
5		1	S652.03	Tube to pressure gauge
6		1	M867.03	Gauge inlet fitting
7	◆	1	9991937	Pressure gauge, 0-10 bar (d63)
8		1	3204611	Fitting, DF-MM-G1/4-G1/4-530 bar-SSt
9		1	9992528	Loctite® 270 *

◆ = Wearing parts

\* Secure all screw connections with Loctite® 270.

## 13 GFB CONNECTION KIT



### Spare parts list

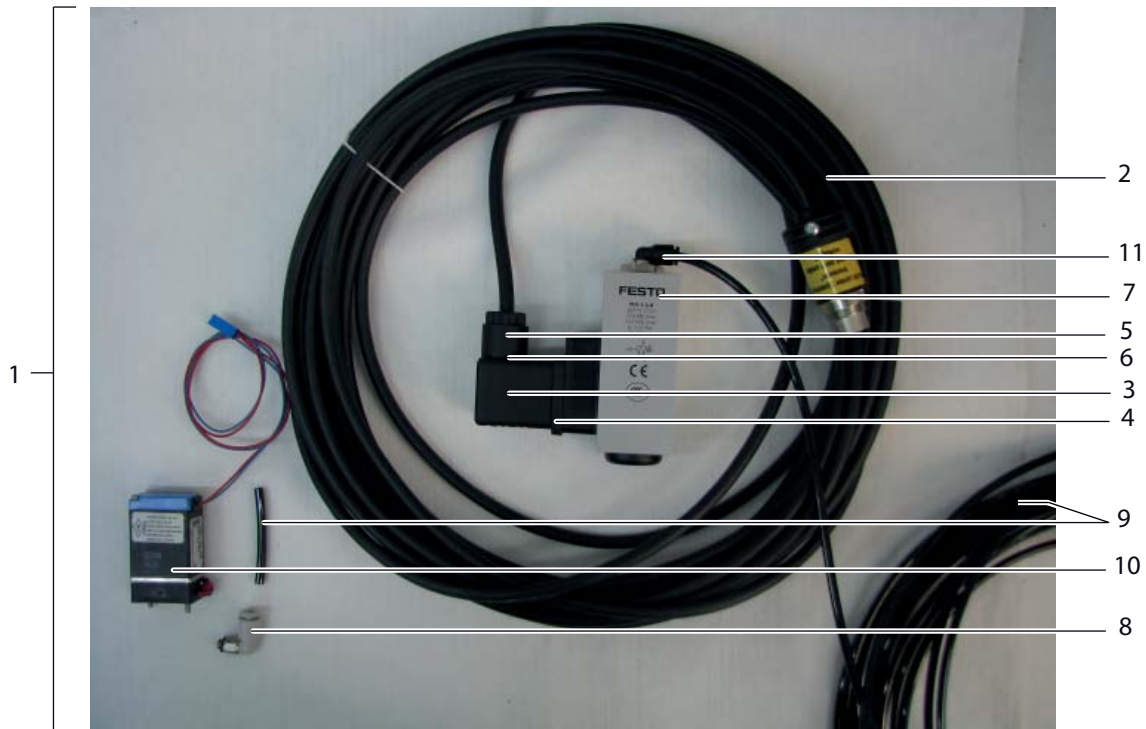
Pos	K	Stk	Order No.	Designation
1		1	2302563	GFB connection kit
2	◆	1	2301068	Solenoid valve 3/2 *
3	◆	1	9943146	Pneumatic valve 5/2
4		1	9992724	Male stud elbow
5		3	9998752	Screw in angle
6		3	9998751	Y-connection
7		3	9992723	Plug-in connection, straight
8		0.5 m	9982072	Hose, black Ø2.5/4mm PU
9		0.5 m	9982079	Hose, black, D6
		1	2334832	Assembly manual (German / English)

◆ = Wearing parts

\* Base plate (valve housing) see Chapter 14.2

## 14 AUTOMATIC ELECTROSTATIC SYSTEM SET

### 14.1 TC VM5000 AUTOMATIC ELECTROSTATIC SYSTEM SET



B\_03819

Pos	K	Stk	Order No.	Designation
1		1	2334530	TC VM5000 automatic electrostatic system set
2		1	2317600	Interface cable VM5000
3		1	2333947	Cable box
4		1	2333948	Profile seal
5		1	9950627	Wire end sleeve without insulation
6		0.1 m	2333945	Shrink tubing
7		1	2333950	Pressure switch
8		1	9992724	Male stud elbow
9		11 m	9982072	Hose, black d2.5/4mm PU
10	◆	1	2301068	Solenoid valve 3/2
11		1	3661350	Male stud elbow, swiveling
		1	2334831	Assembly manual (German / English)

◆ = Wearing parts



**14.2 BASE PLATE**

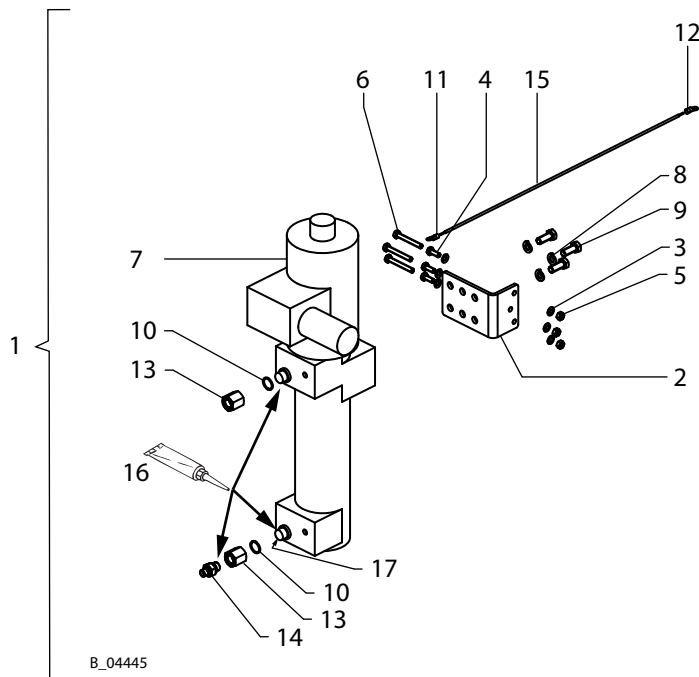


Pos	K	Stk	Order No.	Designation
1		1	2334584	TC extension set
2		1	393420	Valve housing
3		10	9906029	Hexagon socket cylinder head screw
4		10	360402	Spacing washer
5		2	9922101	Serrated washer, externally toothed
6		2	9920104	Washer, A4.3
7		2	9900353	Hexagon socket cylinder head screw
8		2	9998751	Y-connection
9		2	9998110	Screw in angle
10		1 m	9982079	Hose, black, D6

# 15 HEATER

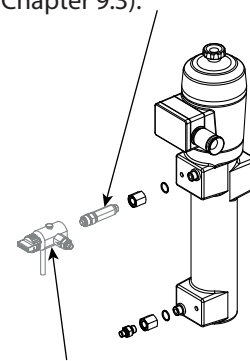
## 15.1 HEATER SET A OR B TC UP TO 35-150

A pumps: 5-60, 10-70, 28-40, 15-70, 15-150, 21-110, 35-70, 35-150  
 B-pump: 5-60, 10-70, 28-40, 15-70, 15-150, 21-110, 35-70, 35-150



B\_04445

Dismount the rotary connection from the pump and connect it to the heater. The fitting 2325826 is to be mounted on the pump output (see Chapter 9.3).



Relief combination without pressure gauge on the heater

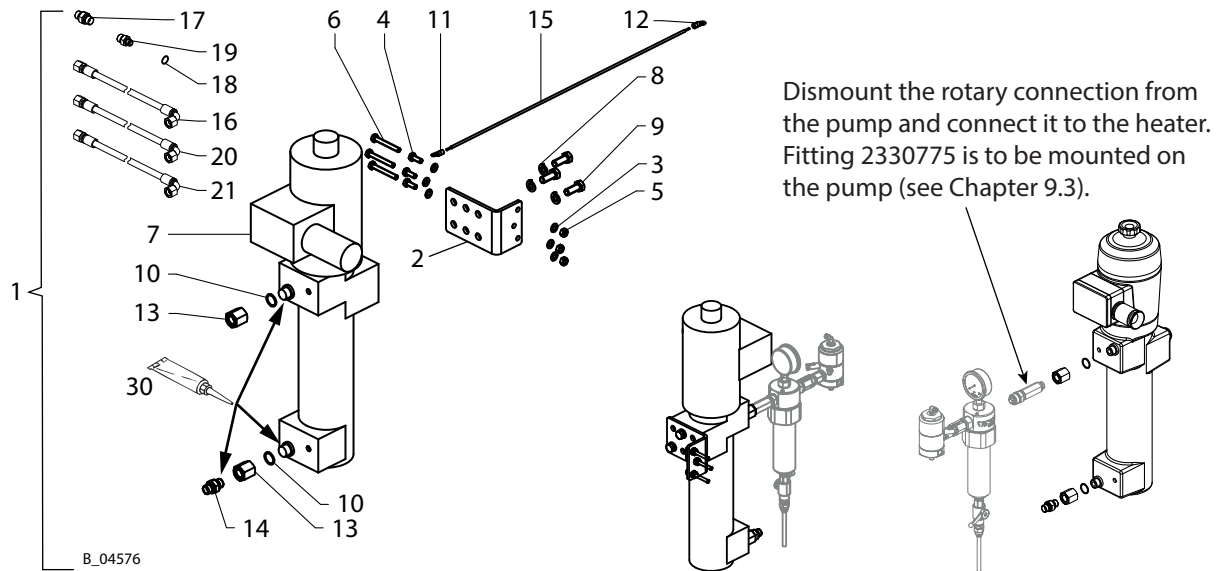
Components				For the frame	For the trolley or wall
Pos	K	Designation	Stk	Order No.	Order No.
1		Heater set A,BTC up to 35-150	1		2338290
2		Angle bracket	1		393369
3		Contact washer, M08	6		3155404
4		Hexagon screw without shaft	3		9900110
5		Hexagon nut, M8	3		9910107
6		Hexagon screw without shaft	3	9900131	
7		HSA-heater A32 Ex 1-circuit	1		65021
8		Spring washer	3		9921514
9		Hexagon screw without shaft	3		9900150
10	◆	Sealing ring	2		9925024
11		Cable lug, round with isolation	1		9950608
12		Cable lug	1		9950604
13		Fitting-RF-FF-M20x1.5-G3/8-PN530-SSt	2		2333393
14		Fitting-DF-MM-G3/8-G1/4-PN530-SSt	1		2325826
15		Ground wire (per meter)	1		9951211
16		Molykote® DX grease	1		9992616
17		Filling part	1		2339756

◆ = Wearing parts

**15.2 HEATER SET A OR B, TC FROM 48-110**

A-pump: 8-300, 3-600, 48-110, 18-300, 8-600

B-pump: 8-300, 48-110, 18-300

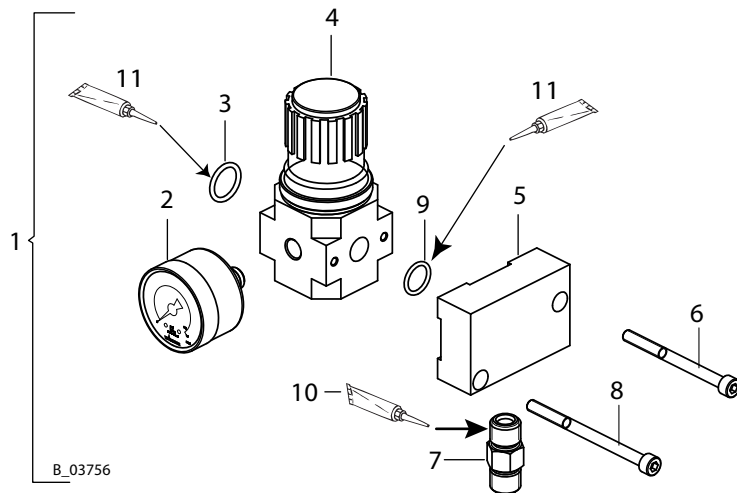


Components				For the frame	For the trolley or wall
Pos	K	Designation	Stk	Order No.	Order No.
1		Heater set A, B TC 48-110 up to 75-150	1		2338294
2		Angle bracket	1		393369
3		Contact washer, M08	6		3155404
4		Hexagon screw without shaft	3		9900110
5		Hexagon nut, M8	3		9910107
6		Hexagon screw without shaft	3	9900131	
7		HSA-heater A32 Ex 1-circuit	1		65021
8		Spring washer	3		9921514
9		Hexagon screw without shaft	3		9900150
10	◆	Sealing ring	2		9925024
11		Cable lug, round with isolation	1		9950608
12		Cable lug	1		9950604
13		Fitting-RF-FF-M20x1.5-G3/8-PN530-SSt	2		2333393
14		Fitting-DF-MM-G3/8-G3/8-PN530-SSt	2		2330775
15		Ground wire (per meter)	1		9951211
16	◆	HPP hose, DN10-PN530 FEP W-G 0.535 m	1		2334457
17		Fitting-DF-MM-G3/8-G3/8-PN530-SSt	1		2330775
18	◆	Sealing ring	1		9925024
19		Fitting, DF-MM-G3/8-G1/4-530 bar-SSt	1		2331173
20	◆	HPP hose, DN10-PN530 FEP W-G 1.235 m	1		2335692
21	◆	HPP hose DN6-PN530 PA W-G 1.52 m	1		2334039
25		Fitting, DF-MM-G3/8-G1/4-530 bar-SSt	1		2331173
30		Molykote® DX grease	1		9992616

◆ = Wearing parts

## 16 AIRCOAT REGULATOR

### 16.1 AIRCOAT REGULATOR, COMPLETE

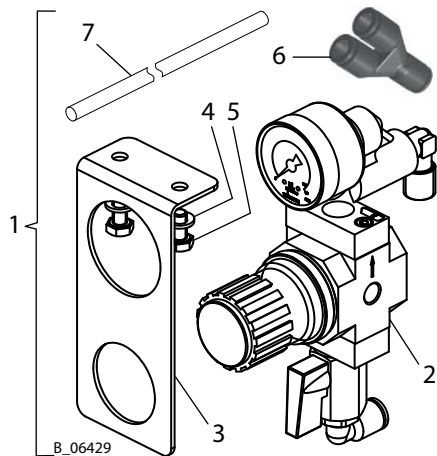


#### Spare parts list

Pos	K	Stk	Order No.	Designation
1		1	2328611	AirCoat regulator, complete
2	◆	1	9998677	Pressure gauge, 0-10 bar RF40 (d40)
3	◆	1	9974166	O-ring
4	◆	1	2309972	Pressure regulator, LR-1/4-D-O-I-Mini
5		1	2325527	Holding plate
6		1	9900320	Hexagon socket head cap screw M05 x 060
7		1	9994627	Double fitting R1/4-R1/4
8		1	9906021	Hexagon socket head cap screw M05 x 070
9	◆	1	9971313	O-ring
10		1	9992831	Loctite® 542
11		1	9998808	Mobilux® EP 2 grease

◆ = Wearing part

**16.2 AIRCOAT PRESSURE REGULATOR FOR EVOMOTION 5-60**

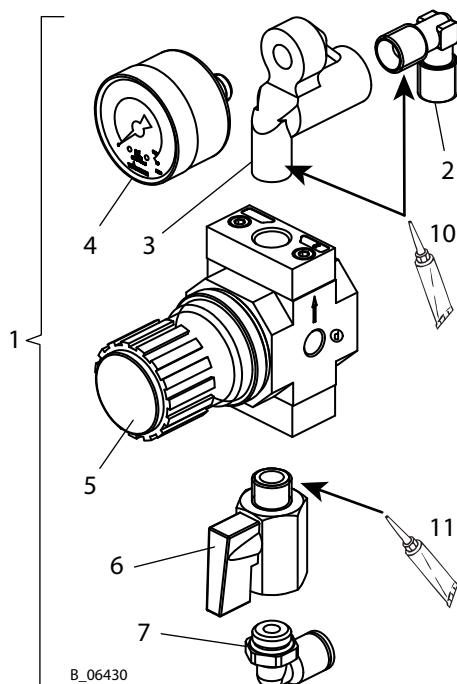


Spare parts list

Pos	K	Stk	Order No.	Designation
1		1	2336769	Pressure control set assembly
2		1	393003	Pressure Regulator complete. For details, see Chapter 16.2.1
3		1	2329283	Supporting plate
4		2	3155401	Contact washer
5		2	9900106	Hexagon screw without shaft
6		1	3159464	Y-plug connection
7		1 m	9982078	Air hose

◆ = Wearing part

**16.2.1 PRESSURE REGULATOR**



Spare parts list

Pos	K	Stk	Order No.	Designation
1		1	393003	Pressure Regulator complete
2		1	9992129	Elbow with taper
3		1	123459	Pressure gauge socket
4	◆	1	9998677	Pressure gauge, 0-10 bar RF40 (d40)
5	◆	1	2329067	Pressure regulator valve, LR-1/4-D-O-MINI with AP
6	◆	1	9991112	Ball valve PN 10 bar
7		1	9998253	Male stud elbow, 8-1/4 Ex
10		1	9998157	Loctite® 480
11		1	9992528	Loctite® 270

◆ = Wearing part

## 17 ADDITIONAL PARTS FOR SECOND PAINT

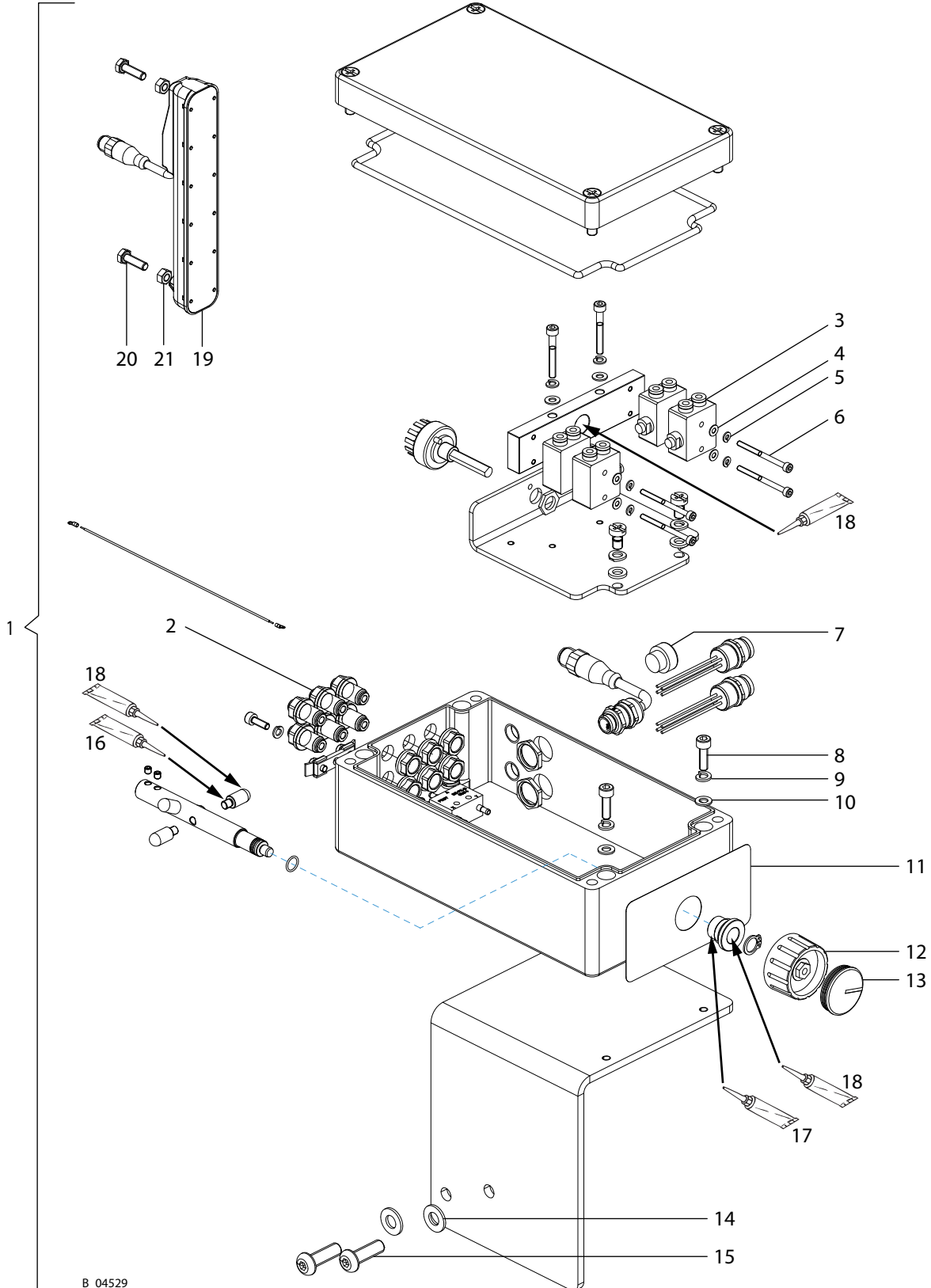
### 17.1 2A SWITCHBOX

Components				2A-HM1	2A-HM2
				For stroke measuring 1 *	For stroke measuring 2 **
Pos	K	Stk	Designation	Order No.	Order No.
1		1	2A switchbox incl. position 19–21 (stroke measurement)	2340959	2340820
		1	2A switchbox without position 19–21 (stroke measurement)	2338687	
2		6	Plug connection	9999064	
3	◆	4	3/2 mini valve, NC	2338594	
4		4	Washer	9920114	
5		4	Spring washer	9921509	
6		4	Hexagon socket cylinder head screw	9907229	
7		1	Pressure compensation element	2338686	
8		2	Hexagon socket cylinder head screw	9900307	
9		2	Spring washer	9921517	
10		2	Washer, B5.3	9920101	
11		1	Front film, 2A switchbox	2339413	
12		1	Rotary knob	2304461	
13		1	Cover with line	2339416	
14		2	Washer, A8.4	9920102	
15		2	Oval head screw with hexagon socket	9906303	
16		1	Loctite® 243	9992511	
17		1	Loctite® 542	9992831	
18		1	Molykote® DX grease	9992616	
19	◆	1	Stroke measuring 1	2305981	
	◆	1	Stroke measuring 2		2305982
20		2	Hexagon screw without shaft, not magnetic	9907199	
21		2	Hexagon nut, not magnetic	9913052	
		1	Assembly Manual 2A (TC)	2340728	

◆ = Wearing part

\* Pumps 5-60, 10-70, 28-40, 15-70, 35-70

\*\* Pumps 15-150, 21-110, 35-150, 48-110, 8-300, 18-300, 3-600, 8-600



B\_04529

## 17.2 EXPANSION SET 2A FOR SMALL VALVES (PV/DV)

For frame without heater.

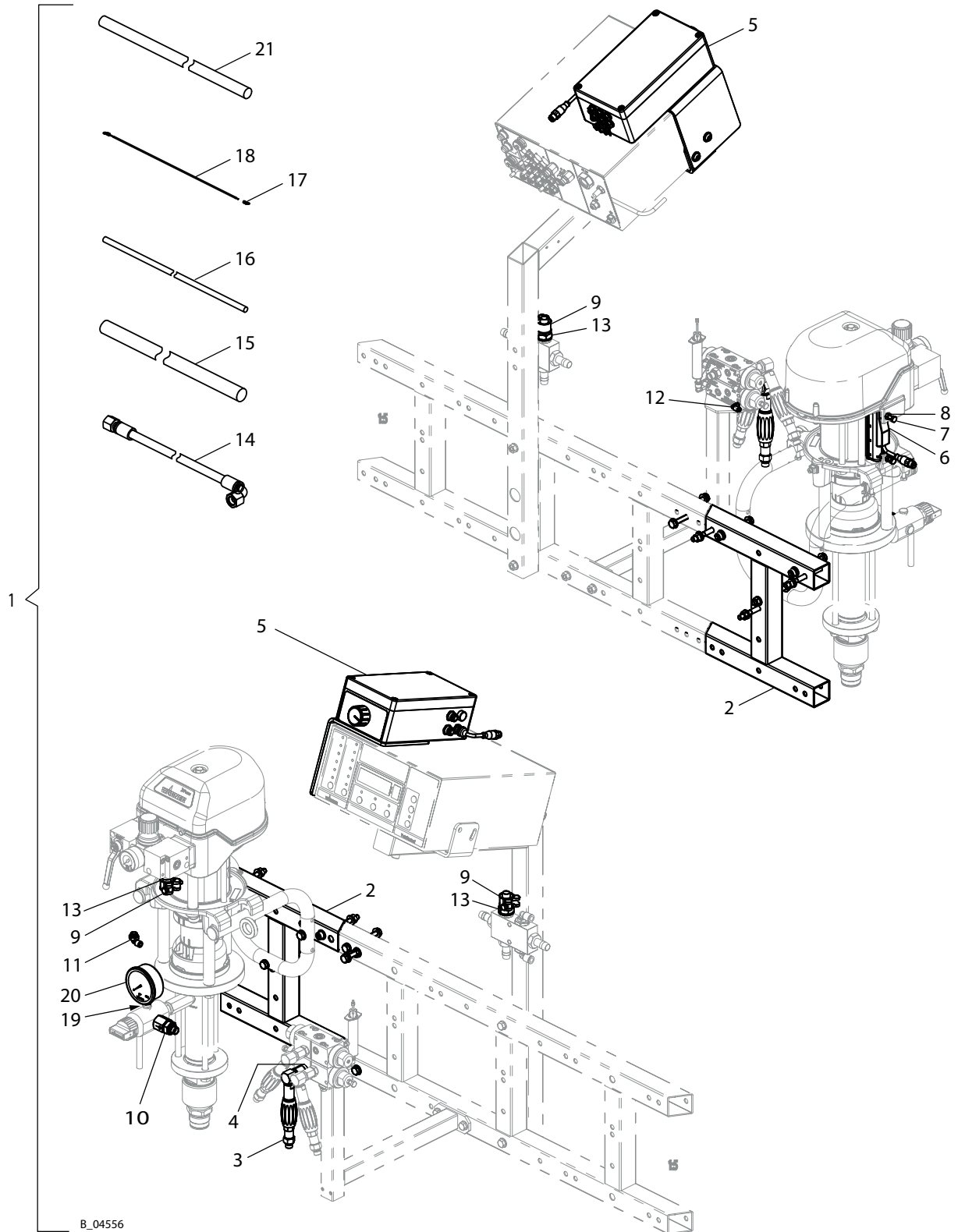
Components			2A-HM1	2A-HM1-ND	2A-HM2	
			For pumps 28-40, 15-70, 35-70	For pumps 5-60, 10-70	For pumps 15-150, 21-110, 35-150	
Pos	K	Stk	Designation	Order No.	Order No.	Order No.
1		1	Extension set 2A	2341205	2340707	2341006
2		1	Extension 2A (For details, see Chapter 17.4.)	2339639		
3		1	Inline-Filter, HL DN6-PN530-G1/4"-SSt (for details and filter insert see Chapter 8.12)	2329026		
4		1	Fitting, DF-MM-G1/4-G1/4-530 bar-SSt	2331174		
5		1	Switchbox 2A incl. positions 6 to 8 (For details, see Chapter 17.1.)	2340959		2340820
6	◆	1	Stroke measuring 1	2305981		/
	◆	1	Stroke measuring 2			
7		2	Hexagon screw without shaft, not magnetic	9907199		
8		2	Hexagon nut, not magnetic	9913052		
9		2	Heavy duty clamp	2333097		
10	◆	1	Non-return valve G1/4-G1/4-530 bar	2329021		
11		1	Male stud elbow	9999066		
12		1	Male stud elbow	9992724		
13		2	Hose fitting	9985619		
14	◆	1	HP hose DN6 PN325 PA W-G 0.67m	2333840		
15	◆	2 m	LP hose DN12-PN10-EPDM	2333099		
16	◆	2 m	Hose, black 4/2.5 PU	9982072		
17		4	Cable lug	9950604		
18		2x1 m	Ground wire	9951211		
19	◆	1	Sealing ring	9970153		
20	◆	1	Pressure gauge, 0-250 bar	2334652	/	2334652
	◆	1	Pressure gauge, 0-40 bar			2334656
21	◆	2 m	Hose, black PUR 8/5.5		9982078	
		1	Assembly Manual 2A(TC)	2340728		

◆ = Wearing part

### Assembly Pressure gauge (20)

1. Insert pressure gauge seal (19) into the relief combination.
2. Screw in pressure gauge (20) by hand until stop is reached, then turn 1/4 rotation with wrench. Thereafter continue turning the pressure gauge only to align. Do not turn back.





B\_04556

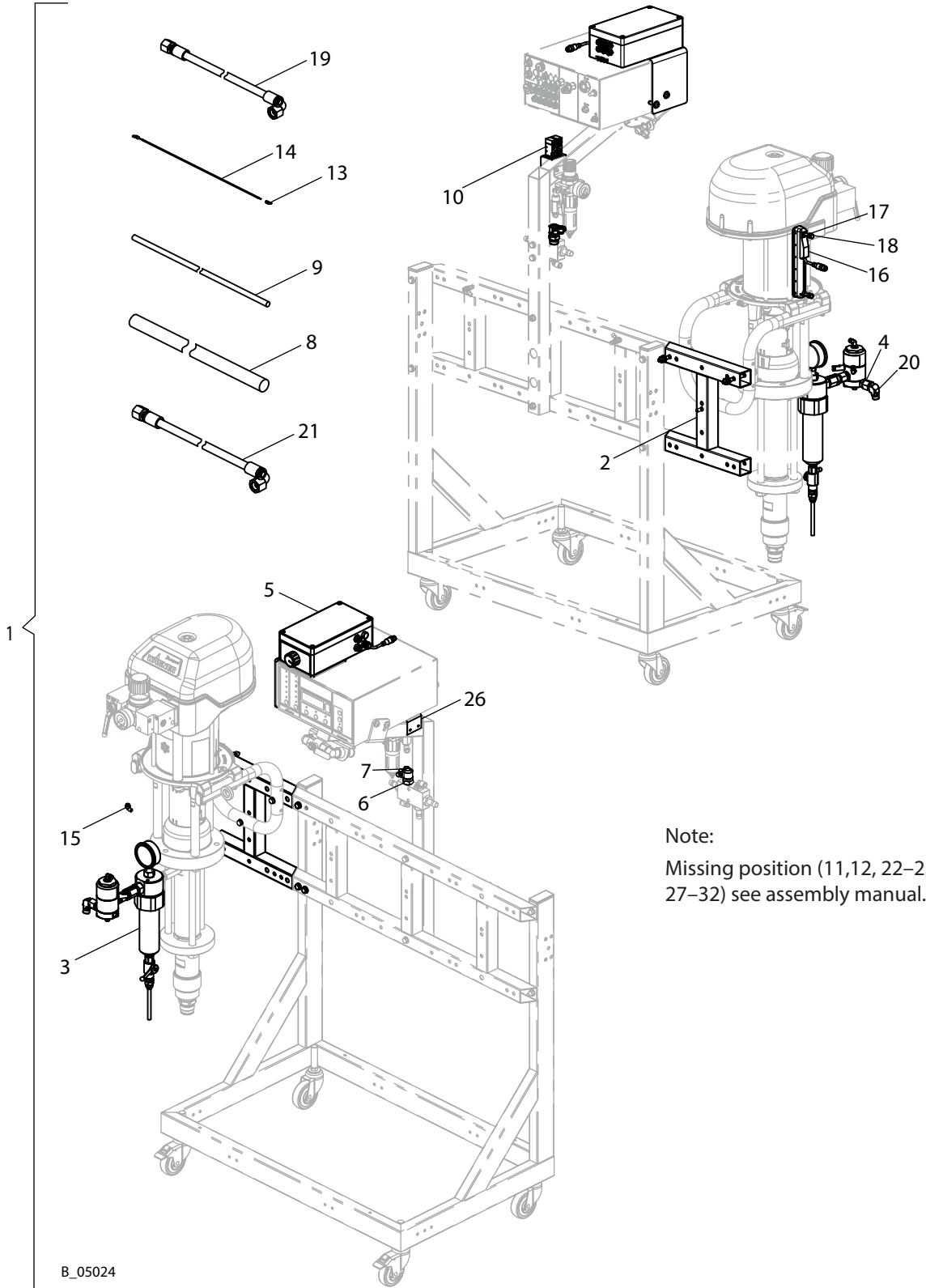
### 17.3 EXPANSION SET 2A FOR LARGE VALVES (PV530/DV530)

For frame without heater.

If heaters are used, the second A pump needs a separate bracket instead of extension 2A contained in the set.

Components				2A-HM2 to A-Pump 48-110, 8-300, 18-300, 3-600, 8-600
Pos	K	Stk	Designation	Order No.
1		1	Extension set 2 A	2344231
2		1	Extension 2A (For details, see Chapter 17.4.)	2339639
3		1	Paint valve set complete 530 bar For details, see Chapter 10.1	2344360
4		2	Fitting, DF-MM-G3/8-G1/4-530 bar-SSt	2331173
5		1	Switchbox 2A (for details, see Chapter 17.1)	2338687
6		2	Hose fitting	9985619
7		2	Heavy duty clamp 19-21 mm	2369917
8	◆	2 m	LP hose DN12-PN10-EPDM, per meter	2333099
9		8 m	Hose, black 4/2.5 PU	9982072
10		2	Pneumatic valve 5/2	9943146
11		8	Plug-in connection, straight	9992723
12		2	Connection Y pluggable	9992290
13		4	Cable lug	9950604
14		2 m	Ground wire	9951211
15		1	Male stud elbow	9999066
16	◆	1	Stroke measuring 2	2305982
17		2	Hexagon nut	9910102
18		2	Hexagon screw without shaft	9907199
19	◆	1	HPP hose DN10-PN530 PA W-G 0.735 m	2334063
20		1	Fitting-EF-FM-G3/8-G3/8-530bar-SSt	2331309
21	◆	1	HPP hose DN6-PN530 PA W-G 0.87 m	2334036
22		2	Hexagon socket cylinder head screw	3067610
23		4	Hexagon socket cylinder head screw	9906029
24		2	Washer, A4.3	9920104
25		4	Washer	9920114
26		1	Supporting plate	2344920
27		4	Male stud elbow	9992724
28		1	Plug, D4	9990851
29		1	Connection	9999231
30		10	Label -	9956156
31		10	Label no. 1	9955709
32		10	Label no. 2	9955710
		1	<b>Assembly manual</b>	2348255

◆ = Wearing part



Note:  
Missing position (11,12, 22-25,  
27-32) see assembly manual.

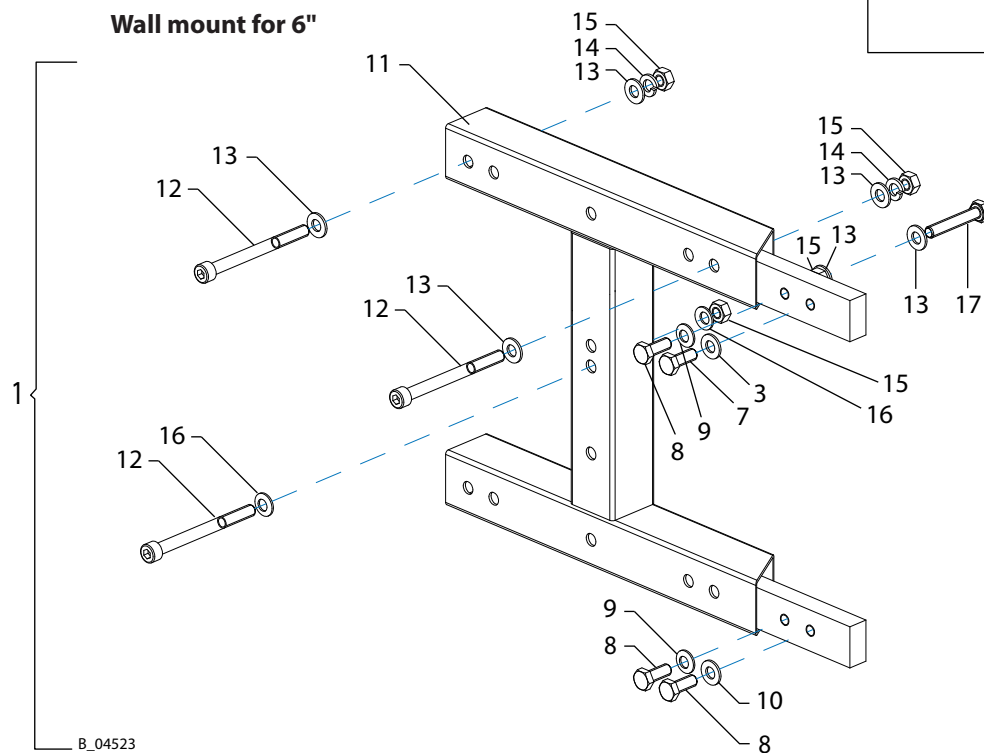
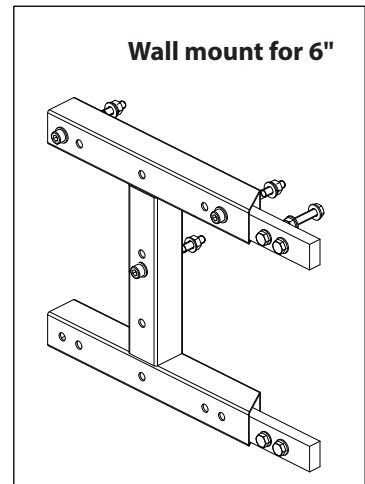
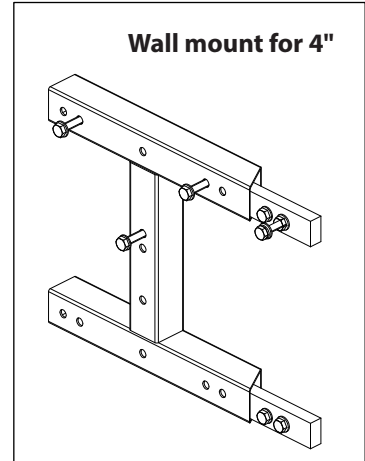
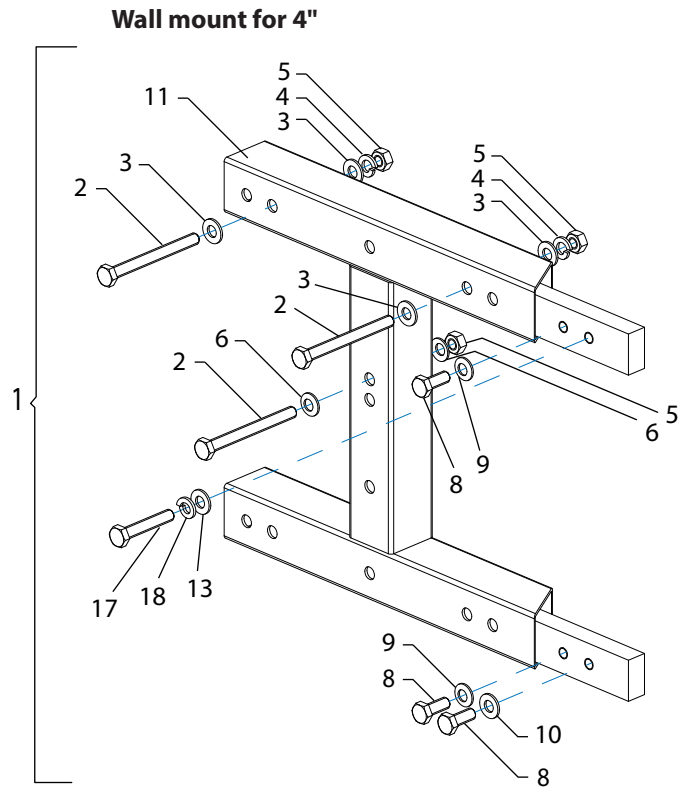
B\_05024

## 17.4 2A EXTENSION

For frame without heater.

Components				Wall mount for 4"	Wall mount for 6"
Pos	K	Stk	Designation	Order No.	Order No.
1		1	2A extension, complete	2339639	
2		3	Hexagon screw without shaft	9900151	
3		4	Washer, A8.4	9920102	
3		1	Washer, A8.4		9920102
4		2	Lock washer, A8	9921501	
5		3	Hexagon nut, M8	9910107	
6		2	Contact washer, M08	3155404	
7		1	Hexagon screw without shaft		9900110
8		3	Hexagon screw without shaft	9900110	
9		2	Contact washer, M08	3155404	
10		1	Washer, A8.4	9920102	
11		1	Extension 2A	--	
12		3	Hexagon socket cylinder head screw		9907078
13		1	Washer, A8.4	9920102	
13		6	Washer, A8.4		9920102
14		2	Lock washer, A8		9921501
15		4	Hexagon nut, M8		9910107
16		2	Contact washer, M08		3155404
17		1	Hexagon screw without shaft	9900123	9900123
18		1	Lock washer, A8	9921501	

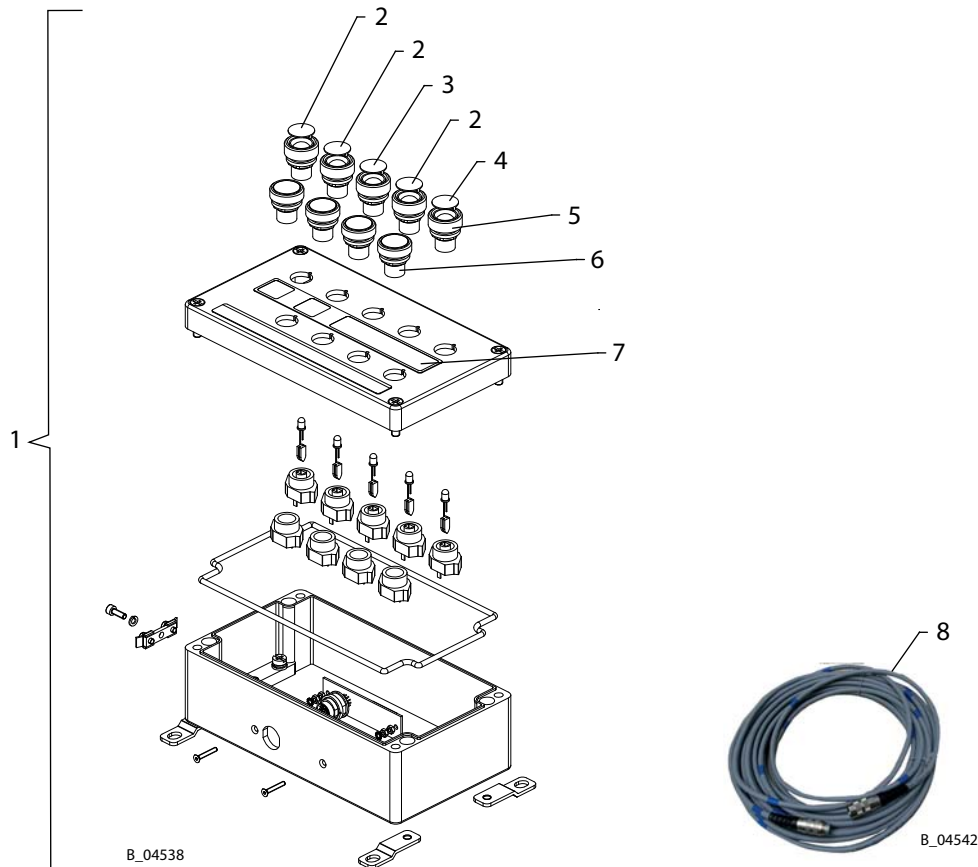
◆ = Wearing part



B\_04523

## 18 REMOTE CONTROLS

### 18.1 REMOTE CONTROL TWINCONTROL

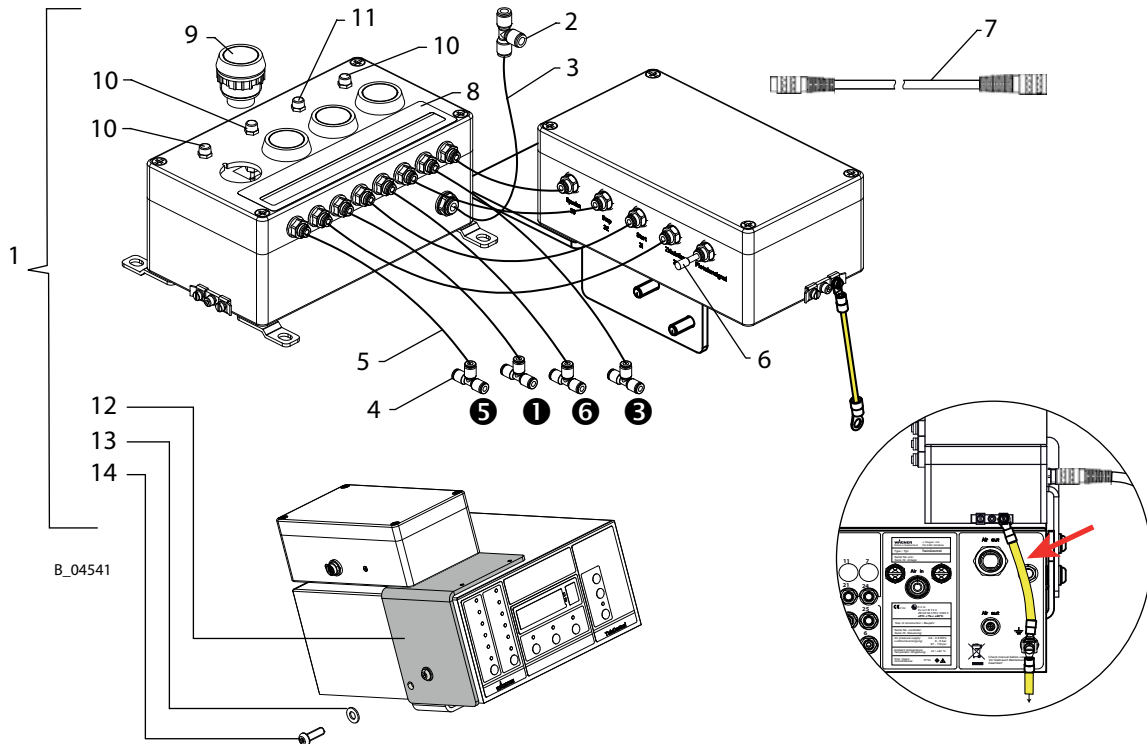


Spare parts list

Pos	K	Stk	Order No.	Designation
1		1	2308874	Remote control, complete TwinControl
2	◆	3	2308399	Push button cap, flat, transparent red
3	◆	1	2308398	Push button cap, flat, transparent green
4	◆	1	2308400	Push button cap, flat, transparent blue
5	◆	5	2308307	Lamps resolution
6	◆	4	2308308	Membrane push button
7	◆	1	2308343	Remote control label
8		1	2308879	Cable extension 15 m; 49 ft. Maximum permissible cable length: 75 m; 246 ft.

◆ = Wearing part

**18.2 ESTA REMOTE CONTROL**



**Assembly** of the ESTA reversing box on the control unit (front view).

The **function equipotential bonding connection** must have little induction and be short (rear view).


Spare parts list

Pos	K	Stk	Order No.	Designation
1		1	2313533	Remote control, complete TwinControl ESTA
2		1	3661326	T connection (air supply)
3		15 m	9982061	Hose PUR 6/4 blue (DN6, air supply)
4		4	3661324	Push-in T fitting QST-4
5		200 m	9982072	Hose, black 4/2.5 PU (DN4)
6		1	9990851	Plug, D4
7		1	2311371	Cable pneumatic control, length 1 m; 3.3 ft
8	◆	1	2313607	Remote control label
9	◆	4	9943071	Control knob 9292
10	◆	3	9991788	Indicator visual green
11	◆	1	9991787	Indicator visual red
12		1	--	Supporting bracket
13		2	9920102	Washer, A8.4
14		2	9906303	Oval head screw with hexagon socket
				5 1 6 3
				Connections to the control unit

◆ = Wearing part

## 19 ARCHIVING SOFTWARE

Spare parts list

Pos	K	Stk	Order No.	Designation
-		1	--	Archiving software TwinControl V3/V4 (CD)
-		1	2317803	Cable RS-232 communication TwinControl
-		1	2305858	USB to TTL Cable  <small>B_03033</small>
-		1	2332780	PC data archiving TC manual V4 GER (German)
-		1	2332781	PC data archiving TC manual V4 ENG (Englisch)

◆ = Wearing parts

## 20 SERVICE SETS

Service sets for

- Air motors,
- Fluid sections,
- Valves:

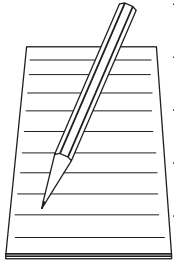
→ See corresponding operating manuals of the pumps and valves.

Exception:

Wildcat, 10-70 PE/T TC 1.4404	Service-Set, EvoMotion fluid section see chapter 4.3
Leopard, 35-70 PE/T TC 1.4404	

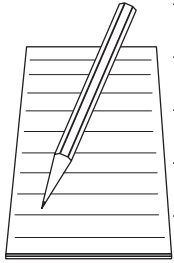


**SPARE PARTS CATALOG**



A series of horizontal lines for writing, starting from the top right of the notepad icon and extending across the page.

**SPARE PARTS CATALOG**



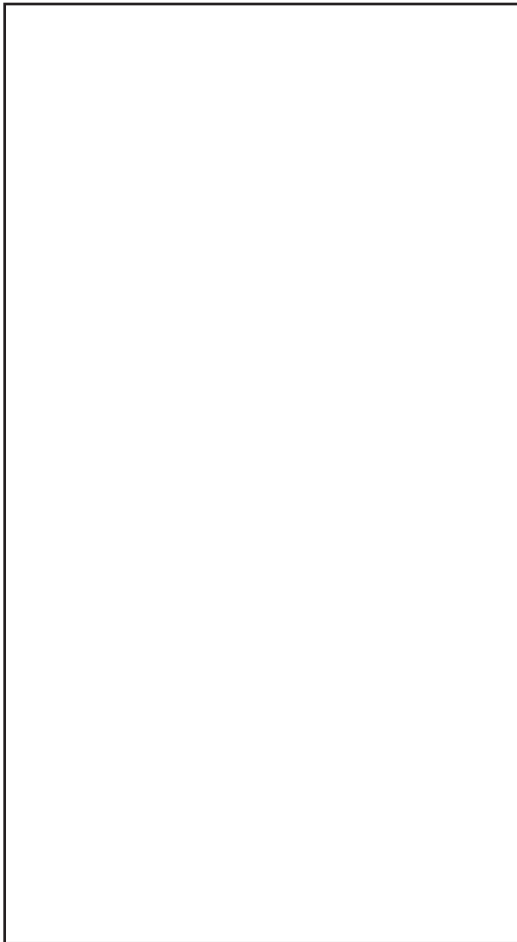
A series of horizontal lines for writing, starting from the top right of the notepad icon and extending across the page.



# WAGNER



Document No. 11160318  
Version C



Order No. 2339331  
Version 10/2016

#### Germany

J. WAGNER GmbH  
Otto-Lilienthal-Str. 18  
Postfach 1120

**D- 88677 Markdorf**

Phone +49/ (0)7544 / 5050  
Telefax +49/ (0)7544 / 505200  
E-mail service.standard@wagner-group.com

#### Switzerland

Wagner International AG  
Industriestrasse 22

**CH- 9450 Altstätten**

Phone +41/ (0)71 / 757 2211  
Telefax +41/ (0)71 / 757 2222

More contact addresses on the internet at:

**[www.wagner-group.com](http://www.wagner-group.com)**

Company/Locations/WAGNER worldwide

Subject to changes without notice